

# **HDCC5M**

## **Megapixel Indoor IP Camera User's Manual**

## **Welcome**

Thank you for purchasing our IP camera!

This user's manual is designed to be a reference tool for your system.

Please read the following safeguard and warnings carefully before you use this series product!

Please keep this user's manual well for future reference!

# Important Safeguards and Warnings

## 1 . Electrical safety

All installation and operation here should conform to your local electrical safety codes.

The power shall conform to the requirement in the SELV (Safety Extra Low Voltage) and the Limited power source is rated 12V DC or 24V AC in the IEC60950-1.

Before you replace the SD card, please unplug the power cable and then remove the shell

We assume no liability or responsibility for all the fires or electrical shock caused by improper handling or installation.

We are not liable for any problems caused by unauthorized modification or attempted repair.

## 2 . Installation

Do not apply power to the IP camera before completing installation.

Do not put object on the IP camera.

## 3 . Environment

This series IP camera should be installed in a cool, dry place away from direct sunlight, inflammable, explosive substances and etc.

The working temperature ranges from -10°C to +60°C. Please keep it away from the electromagnetic radiation object and environment.

Please keep the sound ventilation.

Do not allow the water and other liquid falling into the IPC.

Thunder-proof device is recommended to be adopted to better prevent thunder.

The grounding studs of the product are recommended to be grounded to further enhance the reliability of the camera.

## 4. Daily Maintenance

Current series IPC has no power button. Please unplug all corresponding power cables before your installation.

Do not touch the CCD or CMOS part; you can use the blower to clean the dust on the surface of the lens. You can use the dry cloth with some alcohol to clear if necessary.

Please keep the dustproof cap back to protect the CCD or CMOS part if the IP camera does not work for a long time.

If there is too much dust on the housing, please use the water to dilute the mild detergent first and then use it to clean the device with the clear dry cloth. Finally use the dry cloth to clean the device.

## 5. Accessories

Please open the accessory bag to check the items one by one in accordance with the list below.

Contact your local retailer ASAP if something is missing or damaged in the bag.

Accessory Name		Amount
IPC Unit	■	1
C/CS adapter	■	1

Quick Start Guide	■	1
CD	■	1

# Table of Contents

1	General Introduction .....	1
1.1	Overview .....	1
1.2	Feature .....	1
1.3	Specifications .....	2
1.3.1	Performance .....	2
1.3.2	Factory Default Setup .....	4
2	Framework .....	13
2.1	Rear Panel .....	13
2.2	Side Panel .....	17
2.3	Front Panel .....	17
2.4	Bidirectional talk .....	18
2.4.1	Device-end to PC-end .....	18
2.4.2	PC-end to the Device-end .....	18
2.5	Alarm Setup .....	18
2.5.1	Alarm Input and Output Connection .....	19
2.5.2	IR Light Connection .....	20
3	Installation .....	21
3.1	Lens Installation .....	21
3.1.1	Auto Aperture Lens .....	21
3.1.2	Manual Lens .....	21
3.1.3	Remove Lens .....	22
3.2	SD Card .....	22
3.2.1	Installation .....	22
3.2.2	Remove .....	23
3.3	3G Card .....	23
3.3.1	Installation .....	23
3.3.2	Remove .....	24
3.4	3G/WIFI Antenna .....	25

3.4.1	Installation.....	25
3.4.2	Remove.....	25
3.5	I/O Port.....	26
4	Quick Configuration .....	28
4.1	Overview .....	28
4.2	Operation .....	28
5	Web Operation.....	32
5.1	Network Connection.....	32
5.2	Login and Logout.....	32
6	FAQ .....	35
	Appendix Toxic or Hazardous Materials or Elements .....	36

# 1 General Introduction

## 1.1 Overview

This series IP camera integrates the traditional camera and network video technology. It adopts audio video data collection, transmission, storage together. It can connect to the network directly without any auxiliary device.

This series IPC uses standard H.264 video compression technology and PCM, G.711a/u audio compression technology, which maximally guarantees the audio and video quality.

This series IPC has mega pixel resolution and supports 12V DC/24V AC power. It supports the wireless network application, bidirectional talk, digital water mark and etc.

It can be used alone or used in a network area. When it is used lonely, you can connect it to the network and then use a network client-end. Due to its high definition, multiple functions and various applications, this series IPC is widely used in many indoor environments and other important area surveillance.

## 1.2 Feature

<b>User Management</b>	<ul style="list-style-type: none"><li>● Different user rights for each group, one user belongs to one group.</li><li>● The user right cannot exceed the group right.</li></ul>
<b>Data Transmission</b>	<ul style="list-style-type: none"><li>● Support cable network data transmission via Ethernet</li><li>● Wireless device supports WIFI/3G wireless data transmission.</li></ul>
<b>Storage Function</b>	<ul style="list-style-type: none"><li>● Support central server backup function in accordance with your configuration and setup in alarm or schedule setting</li><li>● Support record via Web and the recorded file are storage in the client-end PC.</li><li>● Support local SD card hot swap. Support short-time storage when encounter disconnection.</li><li>● Support network storage such as FTP.</li></ul>
<b>Alarm Function</b>	<ul style="list-style-type: none"><li>● Real-time respond to external on-off alarm input, and video detect as user pre-defined activation setup and generate corresponding message in screen and audio prompt(allow user to pre-record audio file)</li><li>● Real-time video detect: motion detect, camera masking.</li></ul>
<b>Network Monitor</b>	<ul style="list-style-type: none"><li>● IPC supports one-channel audio/video data transmit to network terminal and then decode. Delay is within 270ms (network bandwidth support needed)</li><li>● Max supports 20 connections.</li><li>● Adopt the following audio and video transmission protocol: HTTP, TCP, UDP, MULTICAST, RTP/RTCP, RTSP and etc.</li><li>● Support web access.</li></ul>
<b>Network Management</b>	<ul style="list-style-type: none"><li>● Realize IPC configuration and management via Ethernet.</li><li>● Support device management via web.</li><li>● Support various network protocols.</li></ul>
<b>Peripheral Equipment</b>	<ul style="list-style-type: none"><li>● Support peripheral equipment connection via the RS232 port, each peripheral equipment control protocol and interface can be set freely.</li><li>● Support serial port (RS232/RS485) transparent data transmission.</li><li>● Support the on-off alarm device to alarm via the sound or the light.</li></ul>

<b>Power</b>	<ul style="list-style-type: none"> <li>● External power adapter. Support DC 12V/AC 24V power supply.</li> </ul>
<b>PoE</b>	<ul style="list-style-type: none"> <li>● Support Power over Ethernet (PoE). Conform to the IEEE802.3af standard.</li> <li>● Connect the device to the switcher or the router that supports the PoE function to realize the network power supply.</li> <li>● To guarantee proper performance, please make sure the power sourcing device can supply at least 10W power.</li> <li>● Usually, do not use the PoE for the WIFI/3G device.</li> </ul>
<b>Assistant Function</b>	<ul style="list-style-type: none"> <li>● Day/Night mode auto switch (<b>ICR switch.</b>)</li> <li>● Backlight compensation: screen auto split to realize backlight compensation to adjust the bright.</li> <li>● Support system resource information and running status real-time display. Support log function.</li> <li>● Support video watermark function to avoid vicious video modification.</li> <li>● Support auto aperture.</li> <li>● Support picture parameter setup such as electronic shutter and gain setup.</li> <li>● Support dual-stream, ACF(Active frame control )</li> </ul>

## 1.3 Specifications

### 1.3.1 Performance

Please refer to the following sheet for IPC performance specification.

Model		HDCC5M
Parameter		
<b>System</b>	<b>Main Processor</b>	TI Davinci high performance DSP
	<b>OS</b>	Embedded LINUX
	<b>System Resources</b>	Support real-time network, local record, and remote operation at the same time.
	<b>User Interface</b>	Remote operation interface such as WEB, DSS, PSS
	<b>System Status</b>	SD card status, bit stream statistics, log, and software version.
<b>Video Parameter</b>	<b>Image Sensor</b>	1/2.8-inch CMOS
	<b>Pixel</b>	2560(H)*1920(V)
	<b>Day/Night Mode</b>	Support day/night mode switch and IR-CUT at the same time.
	<b>Auto Aperture</b>	Optional
	<b>Gain Control</b>	Fixed/Auto
	<b>White Balance</b>	On/off
	<b>BLC</b>	On/off
	<b>Electronic Shutter</b>	Manual/Auto PAL: It ranges from 1/3 to 1/10000. NTSC: It ranges from 1/4 to 1/10000.
	<b>Video Compression Standard</b>	H.264/JPEG/MJPEG
	<b>Video Frame Rate</b>	PAL: Main stream (2560*1920@8fps) Extra stream(704*576@8fps) Main stream (1920*1080@25fps) Extra stream (704*576@25fps)



		NTSC: Main stream (2560*1920@8fps) Extra stream (704*480@8fps) Main stream (1920*1080@30fps) Extra stream (704*480@30fps)
	<b>Video Bit Rate</b>	H.264: 56Kbps-8192Kbps. MJPEG is adjustable and bit rate is adjustable. Support customized setup.
	<b>Video Flip</b>	Support mirror. Support flip function.
	<b>Snapshot</b>	Max 1f/s snapshot. File extension name is JPEG
	<b>Privacy Mask</b>	Each channel supports max 4 privacy mask zones
	<b>Video Setup</b>	Support parameter setup such as bright, contrast.
	<b>Video Information</b>	Channel title, time title, motion detect, privacy mask.
	<b>Lens</b>	Optional
	<b>Lens Interface</b>	C/CS optional
	<b>Audio Input</b>	1-channel, 3.5mm JACK LINE IN
<b>Audio</b>	<b>Audio Output</b>	1-channel, 3.5mm JACK SPEAK OUT
	<b>Bidirectional Talk Input</b>	Reuse the first audio input channel
	<b>Audio Bit Rate</b>	16kbps 16bit
	<b>Audio Compression Standard</b>	G.711a/G.711u/PCM
<b>Video</b>	<b>Motion Detect</b>	396 (18*22) detection zones; sensitivity level ranges from 1 to 6 (The 6 <sup>th</sup> level has the highest sensitivity) Activation event, alarm device, audio/video storage, image snapshot, log, email function and etc.
	<b>Camera Masking</b>	Sensitivity level ranges from 1 to 6. Each sensitivity level is the percentage of the privacy mask zone. Activation event, alarm device, audio/video storage, image snapshot, log, email SMTP function and etc.
<b>Alarm Input</b>		1-channel input, 1-channel output
<b>Record and Backup</b>	<b>Record Priority</b>	Manual>External alarm >Video detect>Schedule
	<b>Local Storage</b>	Support local SD card hot swap
	<b>Storage Management</b>	Support display local storage status
<b>Network</b>	<b>Wire Network</b>	1-channel wire Ethernet port, 10/100 Base-T Ethernet
	<b>Network Protocol</b>	Standard HTTP, TCP/IP, ARP, IGMP, ICMP, RTSP, RTP, UDP, RTCP, SMTP, FTP, DHCP, DNS, DDNS, PPPOE, UPNP, NTP, Bonjour, SNMP.
	<b>Remote Operation</b>	Monitor, PTZ control, system setup, file download, log information, maintenance, upgrade and etc
<b>AUX Interface</b>	<b>Video Output</b>	1-channel analog video output, BNC port
	<b>Network Interface</b>	1-channel Ethernet, 10/100 Base-T Ethernet (The IPC-HF3110-F series product has the optical port.)
	<b>3G Port</b>	Support 3G SIM card, TD/EVDO/WCDMA function. (For 3G series product only.)
	<b>Antenna Port</b>	Support to receive the wireless signal (This function is for 3G and WIFI series product only.)
	<b>RS485 port</b>	PTZ control interface. Support various protocols.

<b>General Parameter</b>	<b>Power</b>	Support AC24V/DC12V power and PoE. (The IPC-HF3110-FW/E/T/C series product <b>does not</b> support the PoE function.)
	<b>Power Consumption</b>	<10W (For WIFI and 3G device, it is below 12W.)
	<b>Working Temperature</b>	-10°C~+60°C (For -W device, it is from -10°C~+55°C. For 3G device, it is from -10°C~+50°C)
	<b>Working Humidify</b>	10%~90%
	<b>Dimensions</b>	70*63.2*149.5
	<b>Weight</b>	650g
	<b>Installation</b>	Support various installation modes (Enclosure and bracket is optional)

### 1.3.2 Factory Default Setup

Please refer to the following sheet for factory default setup information.

<b>Setup</b>		<b>Item</b>		<b>Default Setup</b>	
				<b>HDCC5M</b>	
Camera	Conditions	Brightness		50	
		Contrast		50	
		Hue		50	
		Saturation		50	
		Gain Mode		Auto	
		Gain Adjust		50	
		Exposure Mode		Auto	
		Auto Iris		On	
		Scene Mode		Auto	
		Day/night Mode		Auto	
		BLC		Off	
		Flip		Off	
	Video	Video bit stream	Main Stream	Bit stream type	General
Encode mode				H.264	
Resolution				1080P (1920*1080)	
Frame Rate (FPS)				PAL: 25 NTSC:30	
Bit Rate Type				CBR	
Recommended Bit				3584-8192 Kb/S	
Bit Rate				8192	
I Frame				50	
Watermark				Enable	

Setup		Item		Default Setup	
				HDCC5M	
			Sub Stream	Watermark character	DigitalCCTV
				Enable	Enable
				Bit stream type	General
				Encode mode	H.264B
				Resolution	CIF(352*288/352*240)
				Frame Rate (FPS)	PAL: 25 NTSC:30
				Bit Rate Type	CBR
				Recommended Bit	192-1024Kb/S
				Bit Rate	640
				I Frame	50
		Snapshot	Snapshot Type	General	
			Image Size	1080P (1920*1080)	
			Quality	5	
			Interval	1s	
		Video Overlay	Privacy Mask	Disable	
			Channel Title	Enable	
			Time Title	Enable	
		Path	Snapshot Path	C:\PictureDownload	
			Record Path	C:\RecordDownload	
		Audio	Main Stream	Enable	Enable
				Encode Mode	G.711A
			Sub Stream	Enable	Disable
				Encode Mode	G.711A
		Network	TCP/IP	Host Name	IPC
				Ethernet	Wire(Default)

Setup	Item	Default Setup	
		HDCC5M	
		Card	
		Mode	Static
		Mac Address	Device MAC address when it is shipped out of the factory
		IP Version	IPV4
		IP Address	192.168.1.108
		Subnet Mask	255.255.255.0
		Default Gateway	192.168.1.1
		Preferred DNS	8.8.8.8
		Alternate DNS	8.8.8.8
		Enable ARP/Ping set device IP address service	Enable
	Connection	Max Connection	10
		TCP Port	37777
		UDP Port	37778
		HTTP Port	80
		RTSP Port	554
	PPPoE	Enable	Disable
		Username	N/A
		Password	N/A
	DDNS	Server Type	Disable, CN99 DDNS
		Server IP	none
		Server Port	80
		Domain Name	none
		User	none

Setup	Item		Default Setup
			HDCC5M
		Password	N/A
		Update Period	5 minutes
	IP Filter	Trusted sites	Disable
	SMIT(Email)	SMTP Server	none
		Port	25
		Anonymity	Disable
		User Name	anonymity
		Password	N/A
		Sender	none
		Authentication (Encryption mode)	N/A
		Title (Subject)	IPC Message
		Attachment	N/A
		Mail Receiver	0s
	Email Test	Disable, interval=60 minutes	
	UPnP	Enable UPnP	Disable
	SNMP	SNMP v1	Disable
		SNMP v2	Disable
		SNMP Port	161
		Read Community	public
		Write Community	private
		Trap Address	N/A

Setup	Item		Default Setup		
			HDCC5M		
		Trap Port	162		
		Bonjour	Enable	Enable	
	Server Name		"Device name+SN". It depends on the device.		
	Multicast	Multicast Address	239.255.42.42		
		Port	36666		
	Auto Register	Enable	Disable		
		SN	1		
		Server IP	0.0.0.0		
		Port	7000		
		Sub-device ID	none		
	QoS	Real-time Monitor	0		
		Command	0		
	Event	Video detect	Motion Detect	Enable	Disable
				Anti-dither	5 seconds
Sensitivity				3	
Record Channel				Enable	
Record Delay				10 seconds	
Relay out				Enable	
Alarm Delay				10 seconds	
Send Email				Disable	
PTZ				Disable	
Activation Operation				N/A	
Address				0	
Snapshot				Disable	
Video Masking		Enable	Disable		
		Record Channel	Enable		
		Record Delay	10 seconds		
		Relay out	Enable		
		Record Delay	10 seconds		

Setup	Item			Default Setup
				HDCC5M
			Send Email	Disable
			PTZ	Disable
			Activation Operation	N/A
			Address	0
			Snapshot	Disable
	Alarm	Alarm Activation	Enable	Disable
			Relay in	Alarm 1
			Anti-dither	5 seconds
			Sensor Type	NO
			Record Channel	Enable
			Record Delay	10 seconds
			Relay out	Enable
			Alarm Delay	10 seconds
			Send Email	Disable
			PTZ	Disable
			Activation Operation	N/A
			Address	0
			Snapshot	Disable
			Relay output	
	Abnormity	No SD Card	Enable	Disable
			Relay out	Enable
			Relay out Delay	10 seconds
			Send email	Disable
		Capacity Warning	Enable	Disable
			Capacity Limit	10%
			Relay out	Enable
			Relay out Delay	10 seconds
			Send Email	Disable
		SD Card	Enable	Disable

Setup	Item		Default Setup			
			HDCC5M			
		Error	Relay out	Enable		
			Relay out Delay	10 seconds		
			Send email	Disable		
		Disconnection	Enable	Disable		
			Record	Enable		
			Record Delay	10 seconds		
			Relay out	Enable		
			Relay out Delay	10 seconds		
		IP Conflict	Enable	Disable		
			Record	Enable		
			Record Delay	10 seconds		
			Relay out	Enable		
			Relay out Delay	10 seconds		
		Storage	Storage	FTP	Enable FTP	Disable
					Server IP	N/A
Port	21					
Username	anonymity					
Password	N/A					
Remote path	share					
Emergency (Local)	Disable					
Network	Enable NAS			Disable		
	Protocol			NFS		
	Server IP			N/A		
	Port			21		
	Username			N/A		
	Password			N/A		
	Remote path			N/A		
Record Control	Pack Duration	8 minutes				
	Pre-	5 seconds				



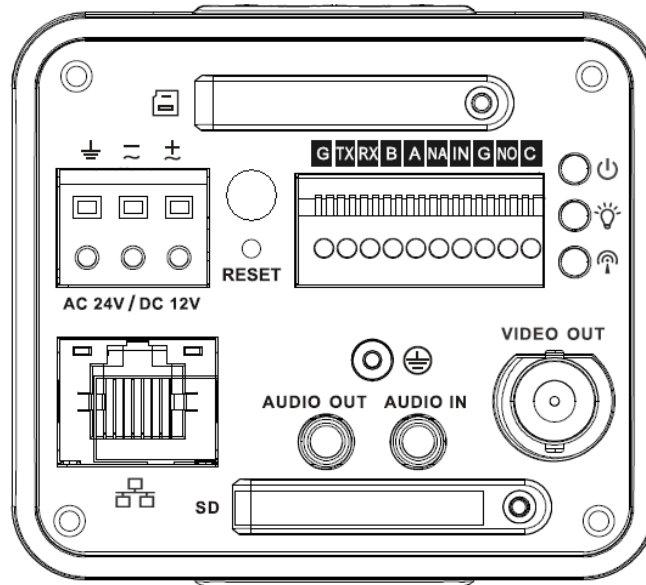
Setup	Item		Default Setup				
			HDCC5M				
System			record				
			Disk Full	Overwrite			
			Record Mode	Auto			
	General	Local Host	Device No	Device factory SN			
			Language	English			
			Video Standard	PAL			
		Date time and		Date Format	Y-M-D		
				Time Format	24H		
				Time Zone	GMT+08:00		
				System Time	Sync		
				DST	Disable		
				DST Type	Week		
				Start Time	00:00:00 of the first Sunday of the month		
				End Time	00:00:00 of the second Monday of the month		
				NTP	Disable		
				NTP Server	clock.isc.org		
				Port	37		
				Update Period	10 minutes		
			PTZ		Protocol	PELCCOD	
					Address	1	
	Baud Rate	9600					
	Data Bit	8					
	Stop bit	1					
	Parity	N/A					
Auto Maintenance		Auto Reboot	Enable				
		Auto Delete	Disable				

Setup	Item		Default Setup
			HDCC5M
		Old Files	

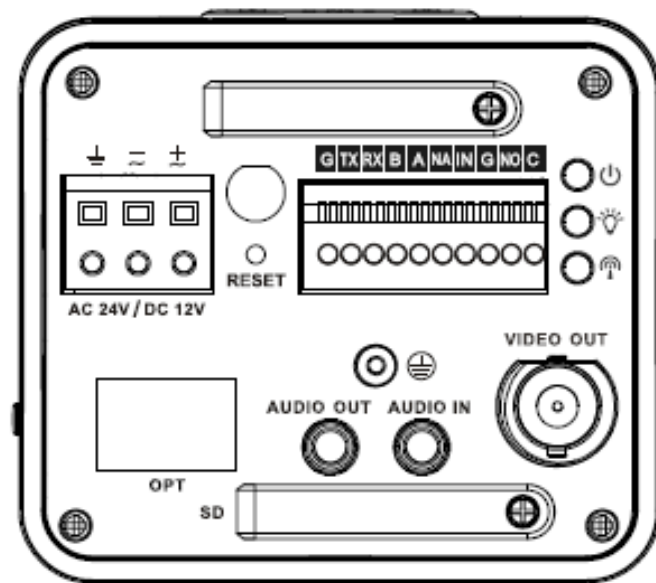
## 2 Framework

### 2.1 Rear Panel

This series IP camera rear panel is shown as below. See Figure 2-1.



The rear panel with the network port







The rear panel with the 100M fiber port


Figure 2-1


Please refer to the following sheet for detail information.

Interface Name		Connector	Function
VIDEO OUT	Video output port	BNC	Output analog video signal. Can connect to

			TV monitor to view video.
AC 24V/ DC 12V	Power port		<ul style="list-style-type: none"> <li>● Power port.</li> <li>● Input 12V DC or AC 24V</li> </ul>
STATUS Indication Light	Red light 		<ul style="list-style-type: none"> <li>● System boot up- red light is on</li> <li>● System upgrades- red light flashes</li> <li>● System resets- red light flashes.</li> </ul>
	Green light 		<ul style="list-style-type: none"> <li>● Normal working status- green light is on.</li> <li>● Display record status: Record- green light flashes.</li> </ul>
	Yellow light 		<ul style="list-style-type: none"> <li>● Detect the wireless device- yellow light is on.</li> </ul>
	3G		Connect to 3G card. Please note it is for 3G series product only.
WIFI	Antenna port		Connect to 3G/WIFI antenna to receive the wireless signal. Please note this function is for some series products only.
IN	Alarm input port	I/O port	Alarm input port 1. To receive the signal from

			the external alarm device.
NO	Alarm output port		Alarm output port. To output alarm signal to the alarm device. <ul style="list-style-type: none"> <li>● NO: Normal open alarm output end.</li> <li>● C: Alarm output public end.</li> </ul>
C			
G	GND		Alarm input ground end.
A	RS485 port		RS485_A port, control external PTZ
B			RS485_B port, control external PTZ
RX	RS232 port		RS232_RX, RS232 receive end.
TX			RS232_TX, RS232 COM send out end.
G	GND		RS232 ground end
NA	IR light port		External IR light signal control port.
RESET	RESET button		Restore factory default setup. When system is running normally, press the RESET button for at least 5 seconds, system can restore factory default setup.
AUDIO OUT	Audio output port	Audio output 3.5mm JACK port.	Output audio signal to the passive device such as earphone.
AUDIO IN	Audio input port	Audio input 3.5mm	Input audio signal

		JACK port.	from devices such as pick-up.
LAN 	Network port	Ethernet port	<ul style="list-style-type: none"> <li>● Connect to standard Ethernet cable.</li> <li>● Support PoE function.</li> </ul>
OPT	100M fiber port	155M single fiber dual-direction SFP fiber module	Transmit 100M Ethernet data.
SD	SD card port		<p>Connect to SD card.</p> <p><b>Note</b></p> <ul style="list-style-type: none"> <li>● When you install the SD card, please make sure current card is not in write mode and then you can install it to the camera.</li> <li>● When you remove the SD card, please make sure current card is not in write mode. Otherwise it may result in data loss or card damage.</li> <li>● Before hot swap, please stop record operation.</li> </ul>

	GND		Please make sure the device is securely earthed to prevent the thunderstorm strike.
---	-----	--	---

## 2.2 Side Panel

Please refer to the following interface for side panel dimension information. The unit is mm. See Figure 2-2.

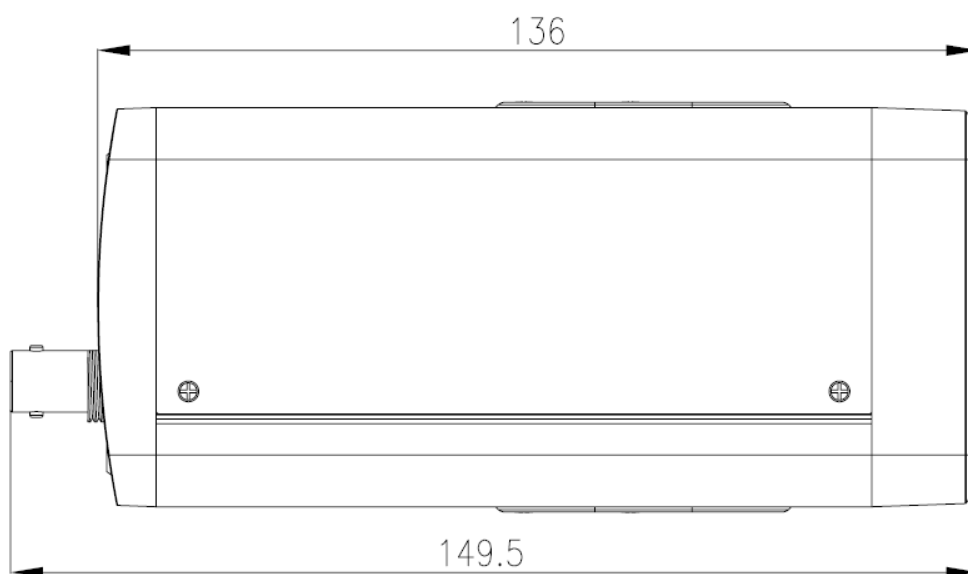


Figure 2-2

## 2.3 Front Panel

Please refer to the following interface for the front panel information. The unit is mm. See Figure 2-3.

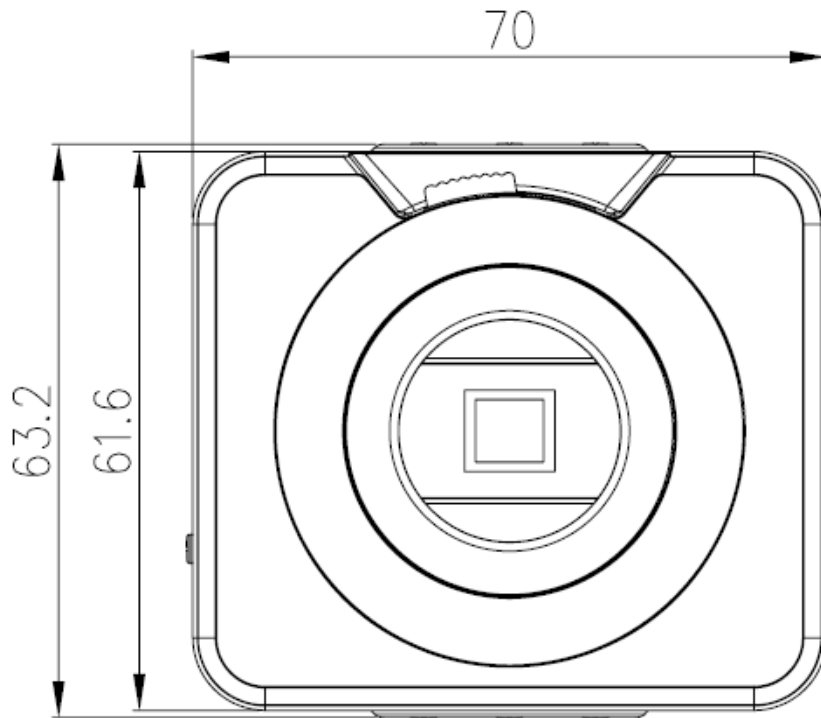


Figure 2-3

## 2.4 Bidirectional talk

### 2.4.1 Device-end to PC-end

#### Device Connection

Please connect the speaker or the pickup to the first audio input port in the device rear panel. Then connect the earphone or the sound box to the audio output port in the PC. Login the Web and then enable the corresponding channel real-time monitor.

#### Listening Operation

At the device end, speak via the speaker or the pickup, and then you can get the audio from the earphone or sound box at the pc-end.

### 2.4.2 PC-end to the Device-end

#### Device Connection

Connect the speaker or the pickup to the audio output port in the PC and then connect the earphone or the sound box to the first audio input port in the device rear panel. Login the Web and then enable the corresponding channel real-time monitor.

#### Listening Operation

At the PC-end, speak via the speaker or the pickup, and then you can get the audio from the earphone or sound box at the device-end.

## 2.5 Alarm Setup

The alarm setup interface is shown as below. See Figure 2-4.

- Connect the alarm input device to the alarm input port.



- Connect the alarm output device to the alarm output port and alarm output public port. The alarm output port supports NO (normal open) alarm device only.
- Open the Web, go to the Figure 2-4. Here you can set the alarm input setup and alarm output setup. Please set the alarm in for the alarm input in the rear panel. Then you can select the corresponding type (NO/NC) according to the high/low level type when an alarm occurs.
- Set the WEB alarm output. The alarm output 01 is the alarm output port of the device rear panel.

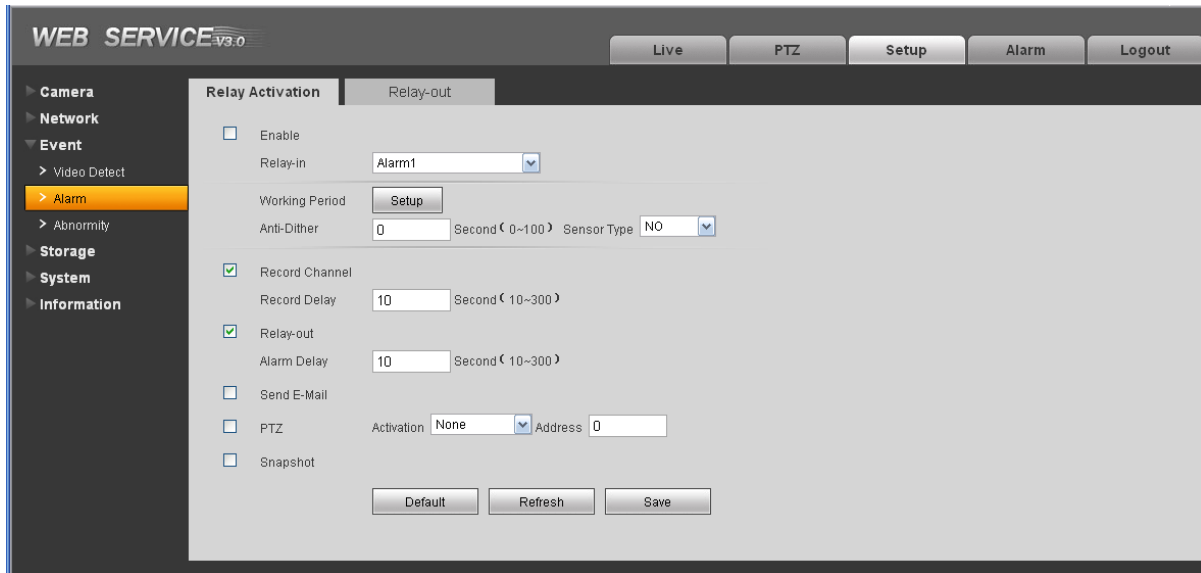


Figure 2-4

### 2.5.1 Alarm Input and Output Connection

Please refer to the following figure for alarm input information. See Figure 2-5.

Alarm input: When the input signal is idle or grounded, the device can collect the different statuses of the alarm input port. When the input signal is connected to the 5V or is idle, the device collects the logic “1”. When the input signal is grounded, the device collects the logic “0”.

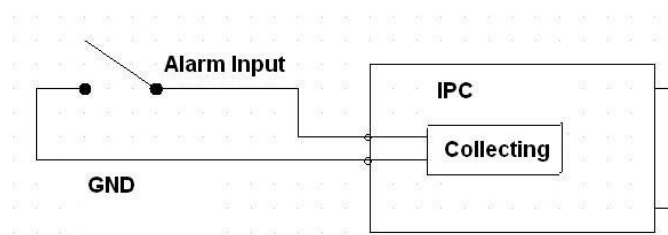


Figure 2-5

Please refer to the following figure for alarm output information. See Figure 2-6.

Port NO and Port C composes an on-off button to provide the alarm output.

If the type is NO, this button is normal open. The button becomes on when there is an alarm output.

If the type is NC, this button is normal off. The button becomes off when there is an alarm output.

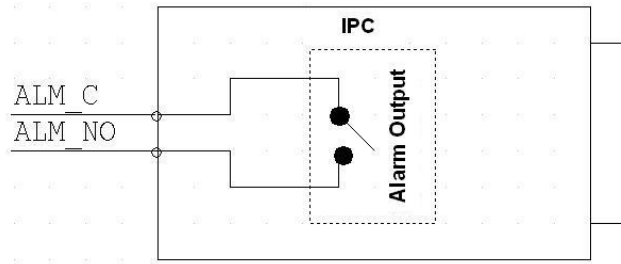


Figure 2-6

### 2.5.2 IR Light Connection

Please refer to the following figure for external IR light information. See Figure 2-7.

IR synchronization input signal. When the external IR light is on, the signal cable from the board outputs the 3.3V/1mA. It outputs the 0V when the IR light is off.

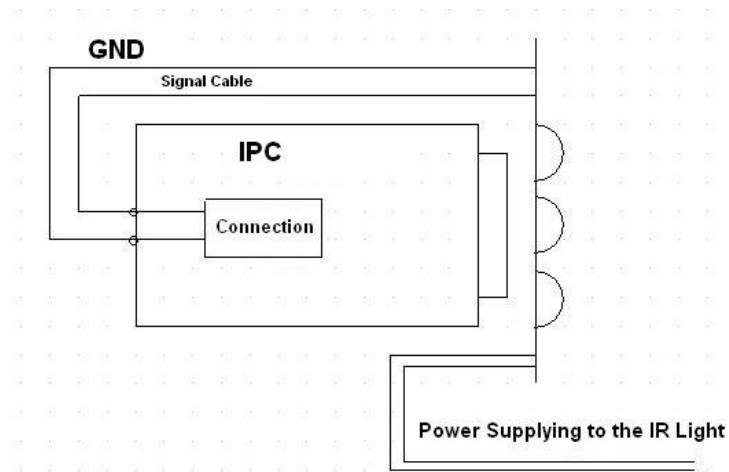


Figure 2-7

## 3 Installation

### 3.1 Lens Installation

#### 3.1.1 Auto Aperture Lens

Please follow the steps listed below for auto aperture lens installation. The interface is shown as in Figure 3-1 and Figure 3-2.

- Remove the CCD protection cap of the device, and then line up the lens to the proper installation position. Turn clockwise until the lens is fixed firmly.
- Insert the lens cable socket to the auto lens connector in the side panel.

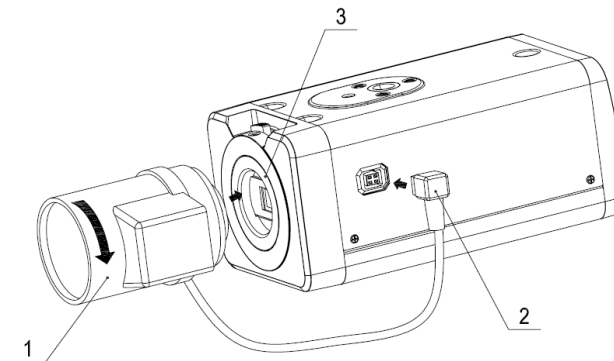


Figure 3-1

#### 3.1.2 Manual Lens

##### Install C type lens

- Remove the CCD protection cap from the device.
- Install the C/CS adapter to the camera. Turn clockwise to secure against the focusing ring firmly.
- Line up the C lens to the installation position of the C/CS adapter. Turn clockwise to fix the lens.
- Use slotted screwdriver to fasten the screw near the focusing ring and then turn counter clockwise to move the focusing ring out for several millimeters. Now you can focus manually and check the video is clear or not. If you cannot see the clear video, you can adjust via the flange-back.
- After you completed the focus setup, use the slotted screwdriver to fix the screw firmly. Fasten the focusing ring. Now the installation completed.

##### Install CS type lens

- Remove the CCD protection cap from the device.
- Line up the CS lens to the lens installation position of camera focusing ring. Turn clockwise to fix the lens.
- Use slotted screwdriver to fasten the screw near the focusing ring and then turn counter clockwise to move the focusing ring out for several millimeters. Now you can focus manually and check the video is clear or not. If you cannot see the clear video, you can adjust via the flange-back.
- After you completed the focus setup, use the slotted screwdriver to fix the screw firmly. Fasten the focusing ring. Now the installation completed.

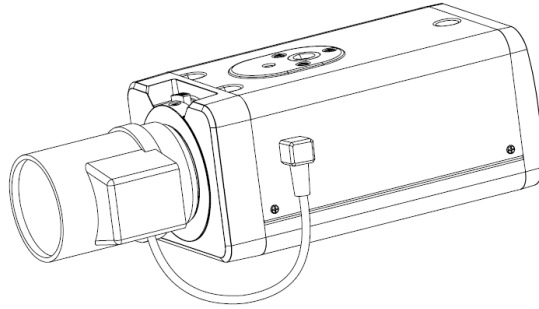


Figure 3-2

### 3.1.3 Remove Lens

Please follow the steps listed below to remove lens. The interface is shown as in Figure 3-3.

- Turn the lens counter clockwise and then remove it from the camera.
- Unplug the auto lens cable socket from the auto lens connector. If you are using the manual aperture lens, please skip to the following step.
- If there is no lens, please put the CCD protection cap back to protect the CCD.

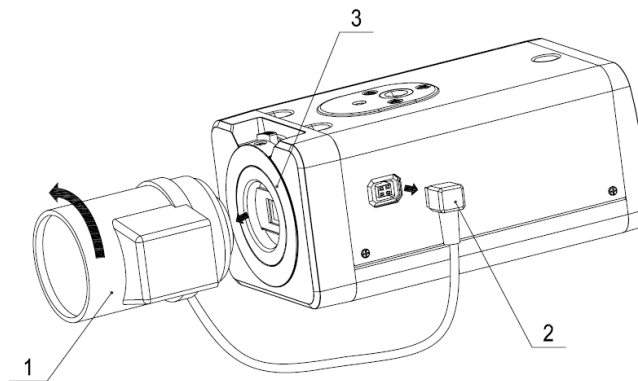


Figure 3-3

## 3.2 SD Card

### 3.2.1 Installation

Please follow the steps listed below to install SD card. The interface is shown as in Figure 3-4 and Figure 3-5.

- Use the screwdriver to loosen the SD card protection screw in the rear panel, and then remove the SD card protection cap from the camera.
- Install the SD card to the camera according to the proper installation position.
- Put the SD card protection cap back.
- Use the screwdriver to fix the SD card protection cap screw firmly to secure the SD card protection cap in the camera.

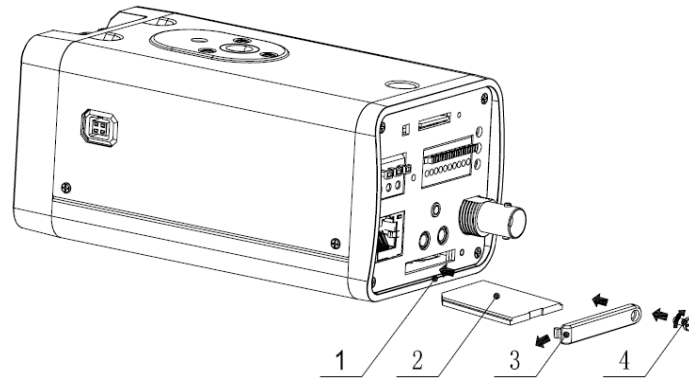


Figure 3-4

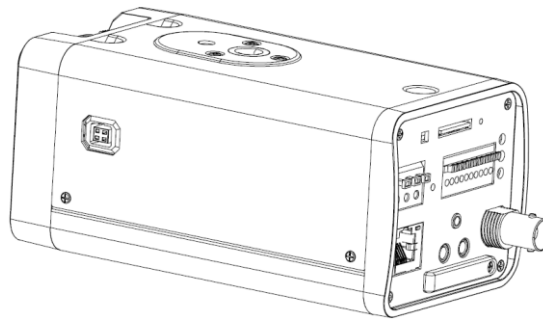


Figure 3-5

### 3.2.2 Remove

Please follow the steps listed below to remove SD card. The interface is shown as Figure 3-6.

- Use the screwdriver to loosen the screw of SD card protection cap in the rear panel. Remove the cap from the camera.
- Follow the SD card direction to remove the SD card.
- Insert the SD card protection cap.
- Use the screwdriver to fix the screw to secure the protection cap.

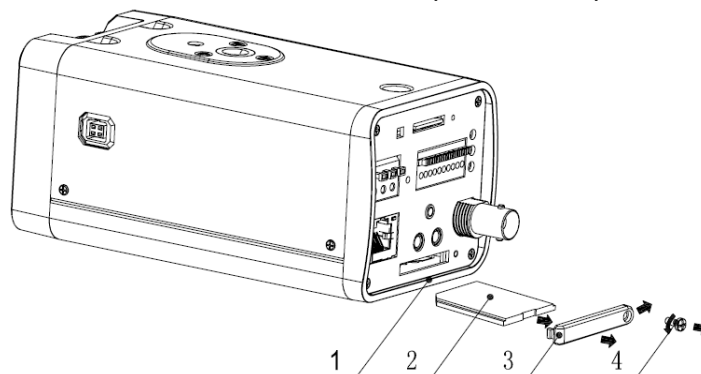


Figure 3-6

## 3.3 3G Card

### 3.3.1 Installation

The 3G card installation is the same with the SD card.

Please follow the steps listed below to install 3G card. The interfaces are shown as Figure 3-7 and Figure 3-8.

- Use the screwdriver to loosen the 3G card protection cap screw in the side panel, and then remove the 3G card protection cap from the camera.
- Install the 3G card to the camera according to the proper installation position.
- Put the 3G card protection cap back.
- Use the screwdriver to fix the 3G card protection cap screw firmly to secure the 3G card protection cap.

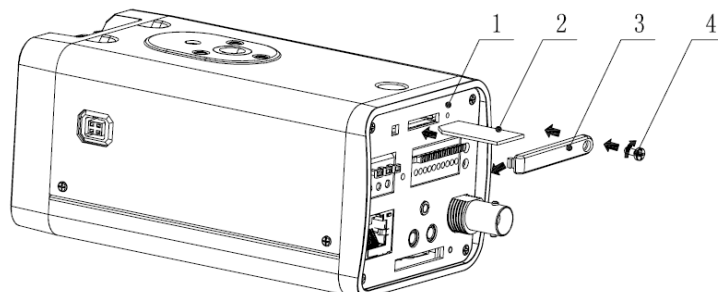


Figure 3-7

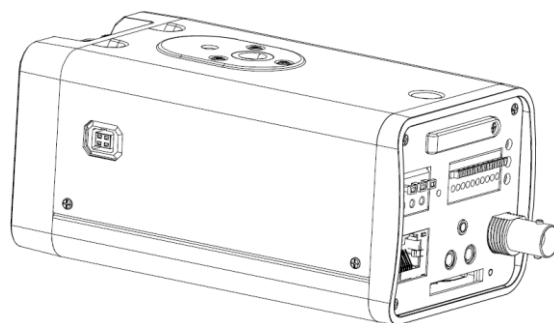


Figure 3-8

### 3.3.2 Remove

Please follow the steps listed below to remove 3G card. The interface is shown as Figure 3-9.

- Use the screwdriver to loosen the screw of 3G card protection cap in the rear panel. Remove the cap from the camera.
- Follow the 3G card direction to remove the 3G card.
- Insert the 3G card protection cap.
- Use the screwdriver to fix the screw to secure the protection cap.

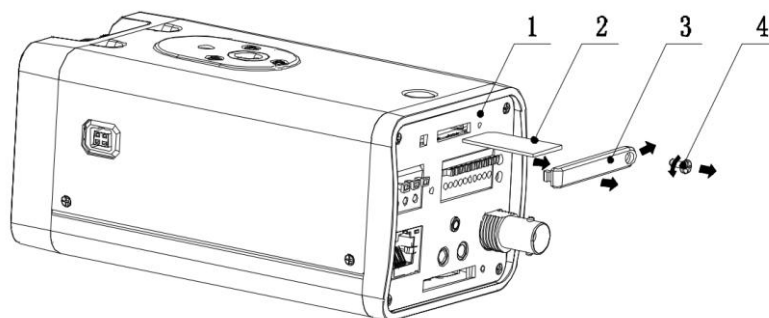


Figure 3-9

## 3.4 3G/WIFI Antenna

### 3.4.1 Installation

Line up the thread of the screw of the 3G/WIFI antenna to the thread of the rear panel. See Figure 3-10.

Please turn according to the direction in the following figure until antenna is secure firmly. See Figure 3-11.

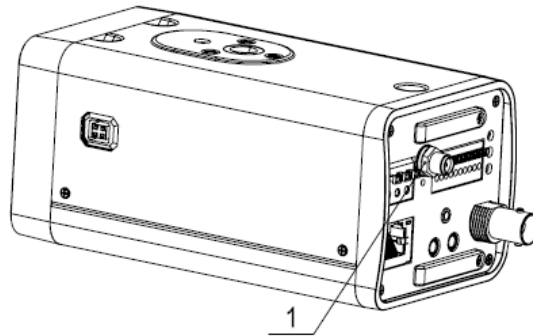


Figure 3-10

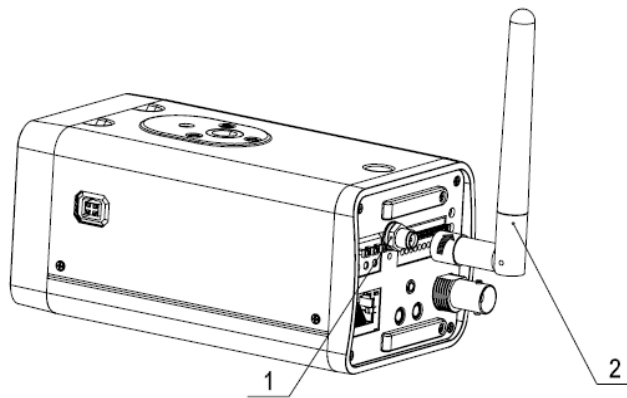


Figure 3-11

After you fix the 3G/WIFI antenna to the WIFI port of the rear panel, you can adjust the antenna direction. See Figure 3-12.

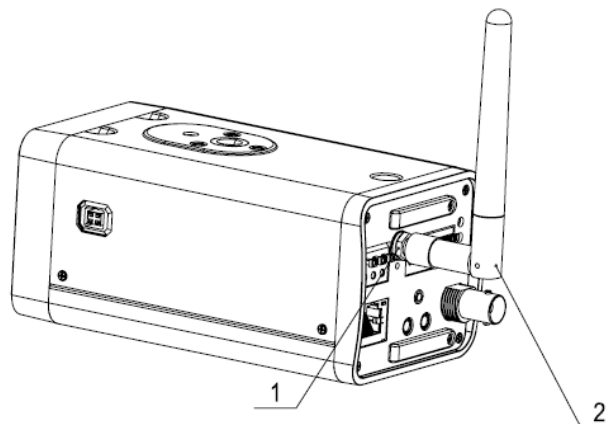


Figure 3-12

### 3.4.2 Remove

Use your hands to hold the 3G/WIFI thread end and then turn according to the following figure. See Figure 3-13.

Now you can see the antenna is away from the thread. See Figure 3-14.

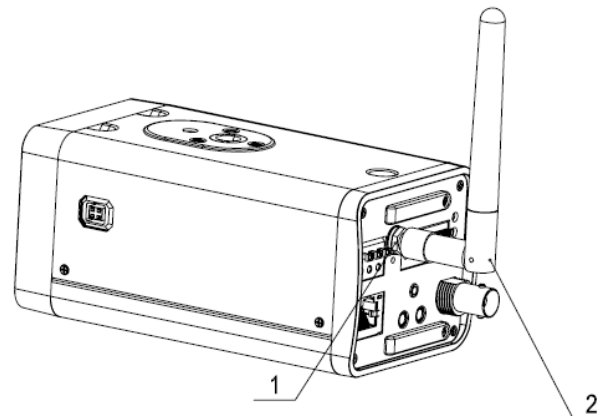


Figure 3-13

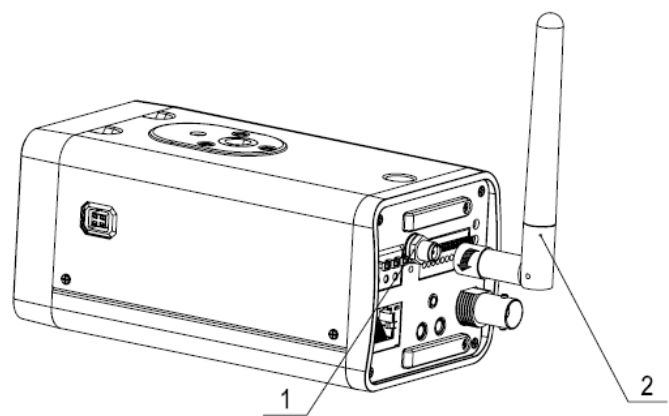


Figure 3-14

Remove the 3G/WIFI antenna from the port of the rear panel. See Figure 3-15.

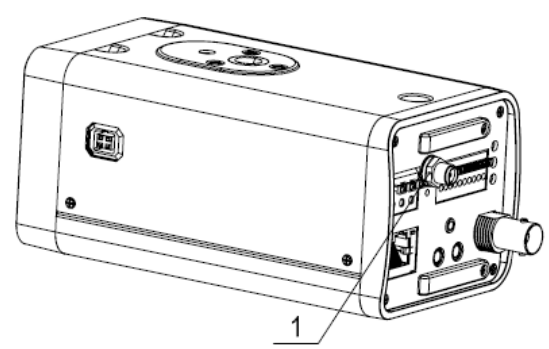


Figure 3-15

### 3.5 I/O Port

#### Install Cable

Please follow the steps listed below to install the cable. See Figure 3-16.



Use the small slotted screwdriver to press the corresponding button of cable groove. Insert the cable into the groove and then release the screwdriver.

**Remove Cable**

Please follow the steps listed below to remove the cable.

Use the small slotted screwdriver to press the corresponding button of cable groove. Remove the cable out of the groove and then release the screwdriver.

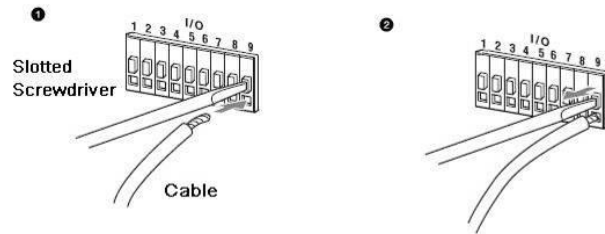


Figure 3-16



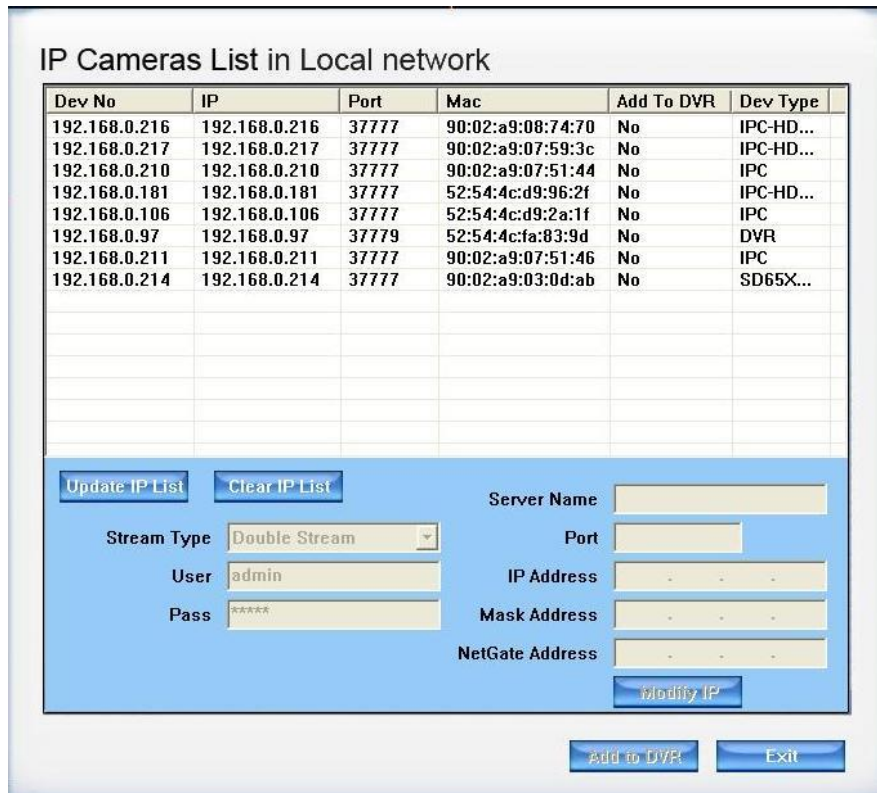


Figure 4-2

Select one IP address and then click "Add to DVR", then "Exit", you can see an interface shown in Figure4-3.

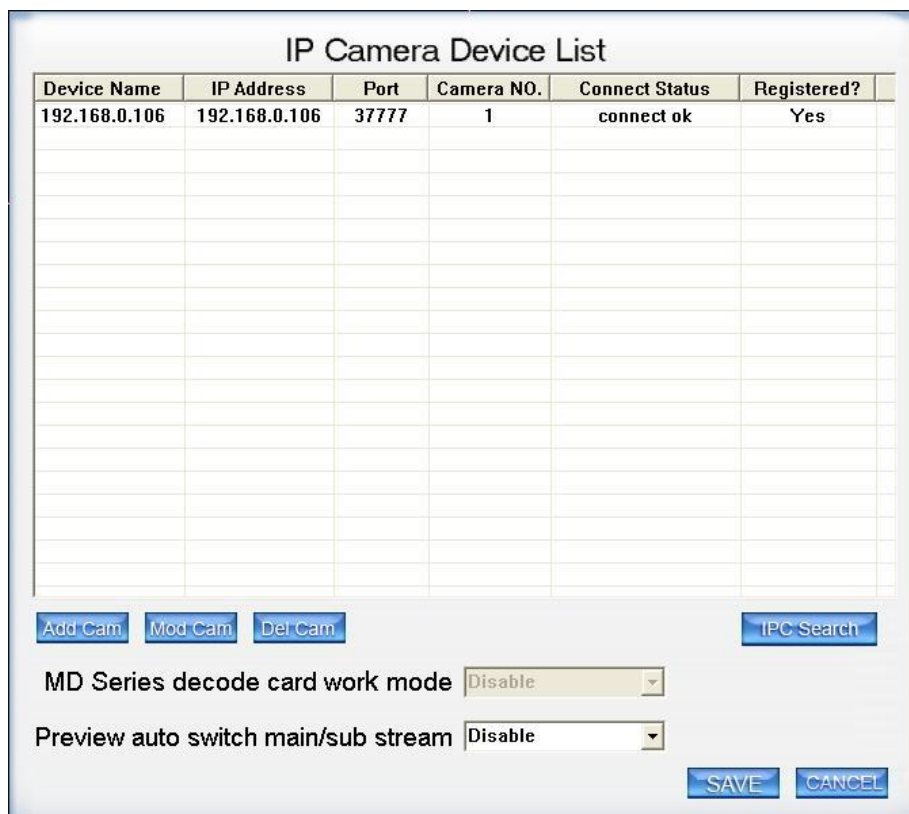


Figure 4-3

After camera added, right click on it and select the “IP camera setup” item; you can go to the configuration interface..

If you want to modify the device IP address without logging in the device web interface, you can go to the software interface to set.

In Figure 4-2, you can view device IP address, user name, password and port. Please modify the corresponding information to login.

Click the “IE setup”, then you can login to the web interface.

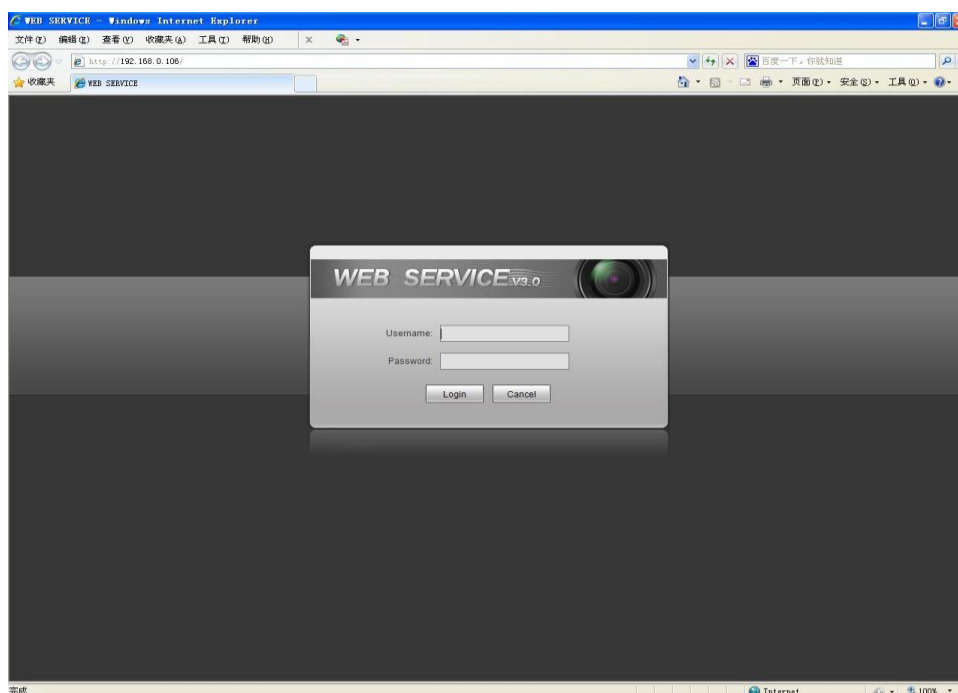


Figure 4-5

Please note to login with HTTP port (Default 80) in web client and Data port (Default 37777) in software. Otherwise, you cannot login the device.

**For detailed information and operation instruction of the quick configuration tool, please refer to the [IP System Quick Start Guide](#).**

## 5 Web Operation

This series IPC product support the Web access and management via PC.

Web includes several modules: monitor channel preview, PTZ control, system configuration, alarm and etc.

### 5.1 Network Connection

Please follow the steps listed below for network connection.

- Make sure the IPC has connected to the network properly.
- Please set the IP address, subnet mask and gateway of the PC and the IPC respectively.  
IPC default IP address is 192.168.1.108. Subnet mask is 255.255.255.0. Gateway is 192.168.1.1.
- Use order ping `***.***.***.***`(\* IP camera address) to check connection is OK or not.

### 5.2 Login and Logout

Open IE and input IP camera address in the address bar.

For example, if your camera IP is 192.168.1.108, then please input `http:// 192.168.1.108` in IE address bar. See Figure 5-1.

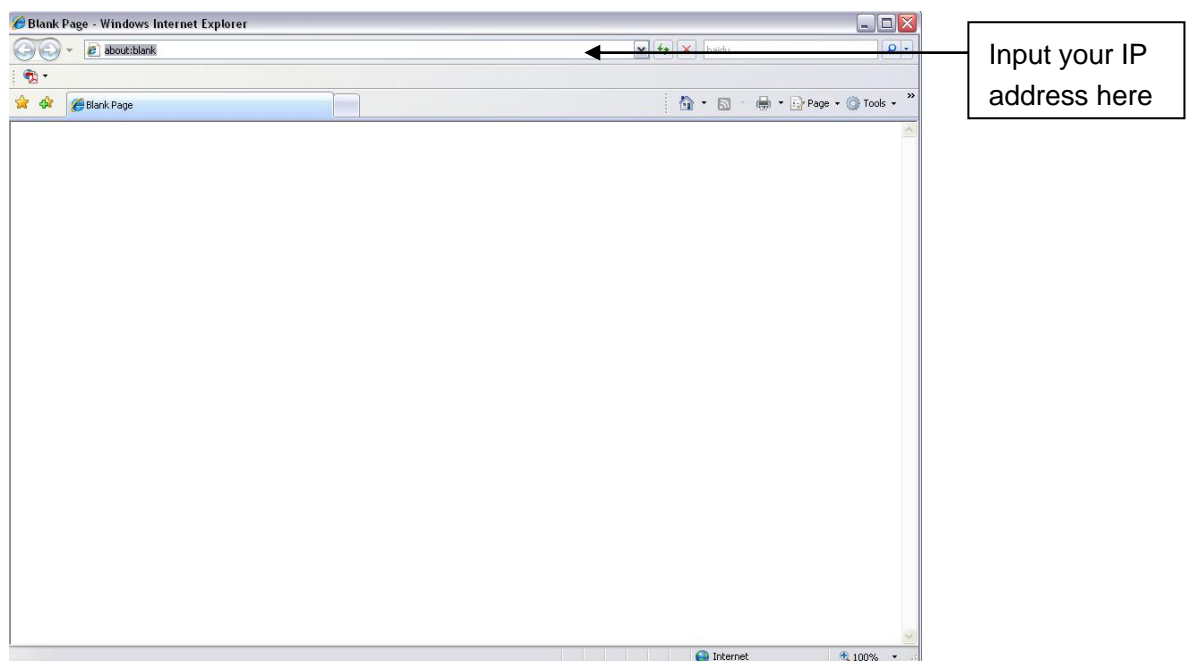


Figure 5-1

The login interface is shown as below. See Figure 5-2.

Please input your user name and password.

Default factory name is admin and password is admin.

**Note: For security reasons, please modify your password after you first login.**

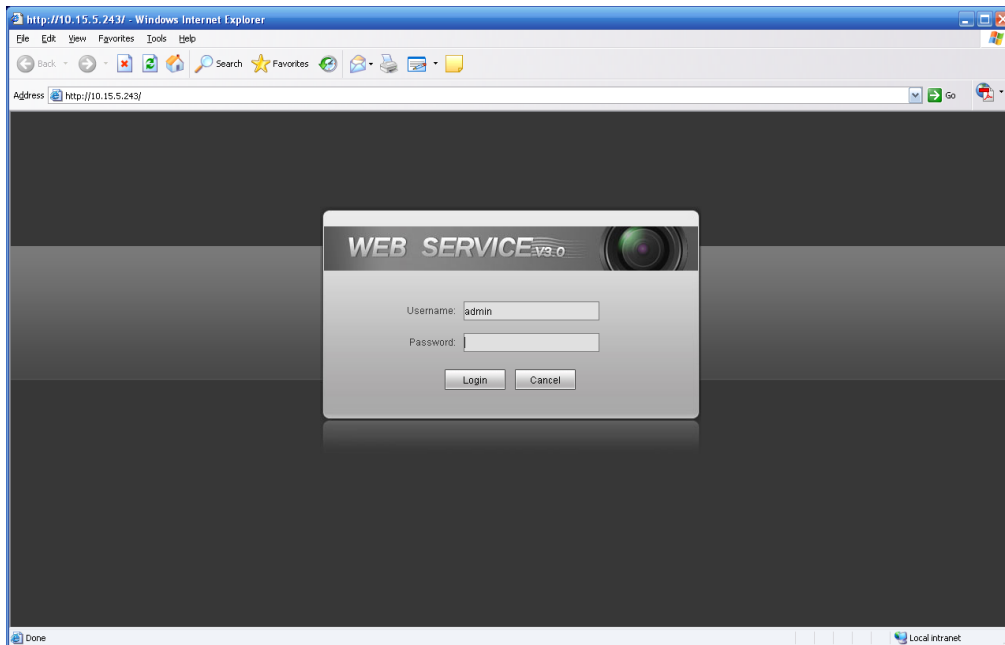


Figure 5-2

If it is your first time to login in, system pops up warning information to ask you whether install control webrec.cab or not after you logged in for one minute. Please click OK button, system can automatically install the control. When system is upgrading, it can overwrite the previous Web too. If you can't download the ActiveX file, please check whether you have installed the plug-in to disable the control download. Or you can lower the IE security level. See Figure 5-3.

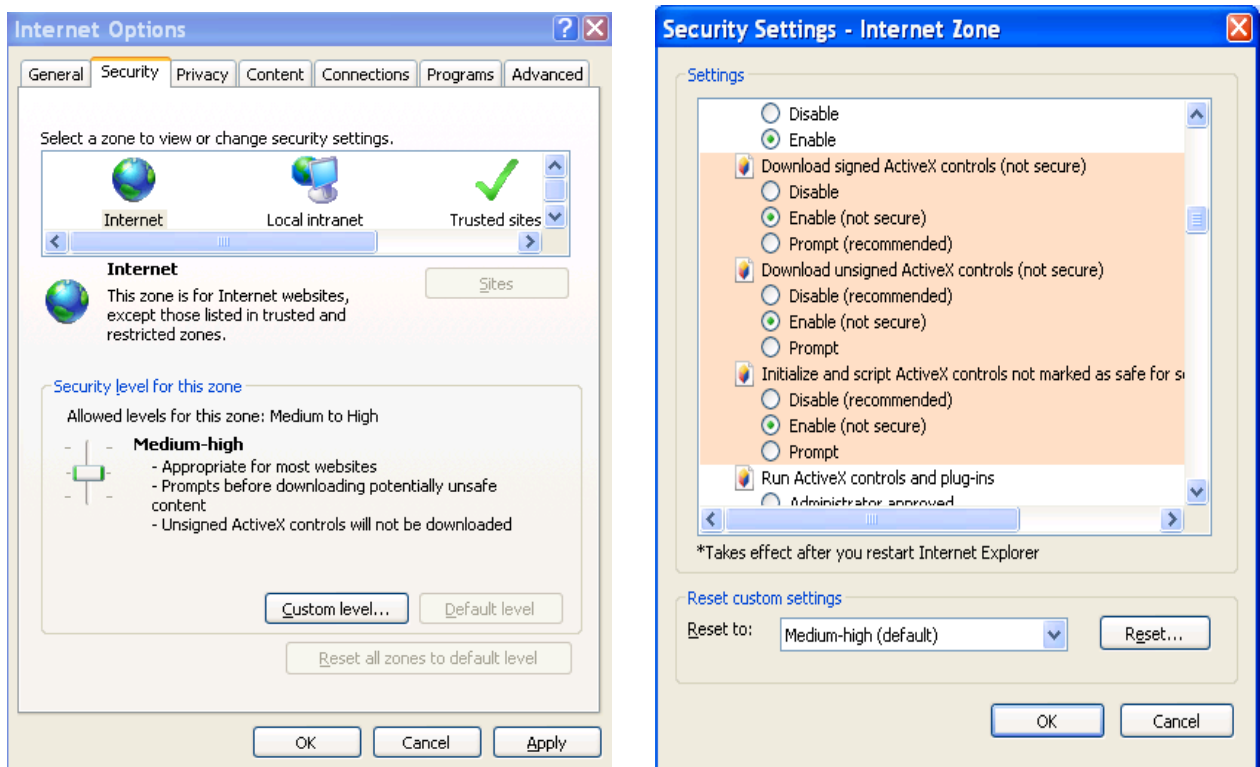


Figure 5-3

After you logged in, you can see the main window. See Figure 5-4.

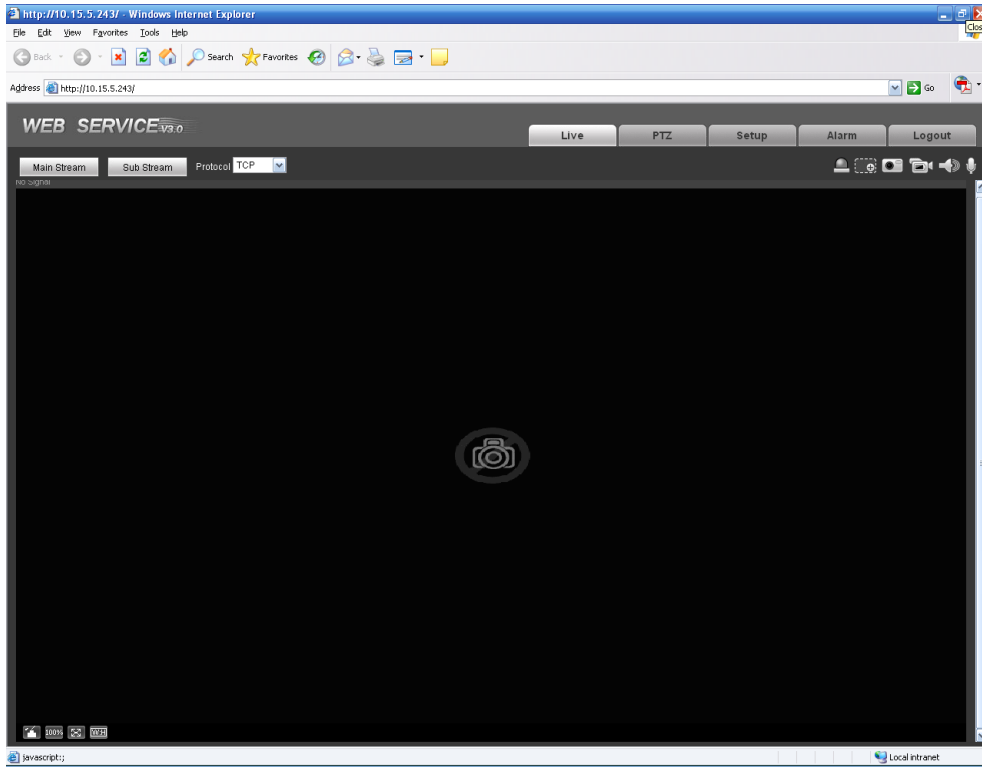


Figure 5-4

Please refer to the Web Operation Manual included in the resource CD for detailed operation instruction.



## 6 FAQ

Bug	
I cannot boot up the device or cannot control the device.	Please click RESET button for at least five seconds to restore factory default setup.
SD card hot swap	Before draw out SD card, please stop record or snapshot first and then wait for at least 15 seconds to remove the SD card. All the operations before is to maintain data integrity. Otherwise you can lose all the data in the SD card!
SD card write times	Do not set the SD card as the storage media to storage the schedule record file. It may damage the SD card duration.
I cannot use the disk as the storage media.	When disk information is shown as hibernation or capacity is 0, please format it first (Via Web).
I cannot upgrade the device via network.	The status indication light is shown as red when network upgrade operation failed. You can use port 3800 to continue upgrade.
Recommended SD card brand	Kingston 4GB, Kingston 16GB, Kingston32GB, Transcend 16GB, SanDisk 4GB, SanDisk 32GB. Usually we recommend the 4GB (or higher) high speed card in case the slow speed results in data loss.
Audio function	Please use active device for the audio monitor input, otherwise there is no audio in the client-end.

## Appendix Toxic or Hazardous Materials or Elements

Component Name	Toxic or Hazardous Materials or Elements					
	Pb	Hg	Cd	Cr VI	PBB	PBDE
Circuit Board Component	○	○	○	○	○	○
Device Construction Material	○	○	○	○	○	○
Wire and Cable	○	○	○	○	○	○
Power Adapter	○	○	○	○	○	○
Packing Components	○	○	○	○	○	○
Accessories	○	○	○	○	○	○

O: Indicates that the concentration of the hazardous substance in all homogeneous materials in the parts is below the relevant threshold of the SJ/T11363-2006 standard.

X: Indicates that the concentration of the hazardous substance of at least one of all homogeneous materials in the parts is above the relevant threshold of the SJ/T11363-2006 standard. During the environmental-friendly use period (EFUP) period, the toxic or hazardous substance or elements contained in products will not leak or mutate so that the use of these (substances or elements) will not result in any severe environmental pollution, any bodily injury or damage to any assets. The consumer is not authorized to process such kind of substances or elements, please return to the corresponding local authorities to process according to your local government statutes.

### Note

- This user's manual is for reference only.
- Slight difference may be found in user interface.
- All the designs and software here are subject to change without prior written notice.
- If there is any uncertainty or controversy, please refer to the final explanation of us.
- Please visit our website for more information.