

HDD1MIA

HD IR Waterproof Fixed IP Dome Camera User's Manual

Welcome

Thank you for purchasing our IP camera!

This user's manual is designed to be a reference tool for your system.

Please read the following safeguard and warnings carefully before you use this series product!

Please keep this user's manual well for future reference!

Important Safeguards and Warnings

1 . Electrical safety

All installation and operation here should conform to your local electrical safety codes.

The power shall conform to the requirement in the SELV (Safety Extra Low Voltage) and the Limited power source is rated 12V DC in the IEC60950-1. This series product supports PoE too. **Please note: Do not connect these two power supplying sources to the device at the same time; it may result in device damage!**

We assume no liability or responsibility for all the fires or electrical shock caused by improper handling or installation.

We are not liable for any problems caused by unauthorized modification or attempted repair.

2 . Transportation security

Heavy stress, violent vibration or water splash are not allowed during transportation, storage and installation.

3 . Installation

Do not apply power to the camera before completing installation.

Please install the proper power cut-off device during the installation connection.

Always follow the instruction guide the manufacturer recommended.

4 . Qualified engineers needed

All the examination and repair work should be done by the qualified service engineers.

We are not liable for any problems caused by unauthorized modifications or attempted repair.

5 . Environment

This series IP camera should be installed in a cool, dry place away from direct sunlight, inflammable, explosive substances and etc.

Please keep it away from the electromagnetic radiation object and environment.

Please make sure the CCD (CMOS) component is out of the radiation of the laser beam device.

Otherwise it may result in CCD (CMOS) optical component damage.

Please keep the sound ventilation.

Do not allow the water and other liquid falling into the camera.

Thunder-proof device is recommended to be adopted to better prevent thunder.

The grounding studs of the product are recommended to be grounded to further enhance the reliability of the camera.

6. Daily Maintenance

Please shut down the device and then unplug the power cable before you begin daily maintenance work.

Do not touch the CCD (CMOS) optic component. You can use the blower to clean the dust on the lens surface.

Always use the dry soft cloth to clean the device. If there is too much dust, please use the water to dilute the mild detergent first and then use it to clean the device. Finally use the dry cloth to clean the device.

Please put the dustproof cap to protect the CCD (CMOS) component when you do not use the camera.

7. Accessories

Be sure to use all the accessories recommended by manufacturer.

Before installation, please open the package and check all the components are included.

Contact your local retailer ASAP if something is broken in your package.

Accessory Name	Amount
IPC Unit	1
Quick Start Guide	1
CD	1
Installation Accessories Bag	1

Table of Contents

1	General Introduction	1
1.1	Overview	1
1.2	Features	1
1.3	Specifications	2
1.4	Factory Default Setup	3
2	Structure	8
2.1	Components	8
2.2	Framework and Dimension	8
3	Device Installation	10
3.1	Installation Steps	10
3.2	Restore Factory Default Setup Introduction	12
4	Quick Configuration Tool	13
4.1	Overview	13
4.2	Operation	13
5	Web Operation	16
5.1	Network Connection	16
5.2	Login and Logout	16
6	FAQ	19
	Appendix Toxic or Hazardous Materials or Elements	20

1 General Introduction

1.1 Overview

This series IP camera integrates the traditional camera and network video technology. It adopts video data collection, transmission together. It can connect to the network directly without any auxiliary device.

This series IPC uses standard H.264 video compression technology, which maximally guarantees the video quality.

It supports the IR night vision function. In the night environments, the device can use the IR light to highlight the object which is suitable for the surveillance function in the low illumination environments. The waterproof design conforms to the IP 66 level. It has the sound waterproof function suitable for use in the outdoor environments.

It can be used alone or used in a network area. When it is used lonely, you can connect it to the network and then use a network client-end. Due to its multiple functions and various uses, this series IPC is widely used in many environments such office, bank, road monitor and etc.

1.2 Features

User Management	<ul style="list-style-type: none">● Different user rights for each group, one user belongs to one group.● The user right shall not exceed the group right.
Storage Function	<ul style="list-style-type: none">● Support central server backup function in accordance with your configuration and setup in alarm or schedule setting● Support record via Web and the recorded file are storage in the client-end PC.● Support network storage function such as FTP.
Network Monitor	<ul style="list-style-type: none">● IPC supports one-channel video data transmit to network terminal and then decode. Delaying time is within 270ms (network bandwidth support needed)● Max supports 20 connections.● Adopt the following video transmission protocol: HTTP, TCP, UDP, MULTICAST, RTP/RTCP, RTSP and etc.● Support web access.
Network Management	<ul style="list-style-type: none">● Realize IPC configuration and management via Ethernet.● Support device management via web or client-end.
Power	<ul style="list-style-type: none">● External power adapter DC 12V.● Support PoE. <p>Warning! Do not connect these two power supplying sources to the device at the same time; it may result in device damage!</p>
Assistant Function	<ul style="list-style-type: none">● Log function● Support system resource information and running status real-time display.● Day/Night mode auto switch.● Support picture parameter setup such as electronic shutter and gain setup.● Support motion detect.● Backlight compensation: screen auto split to realize backlight compensation to adjust the bright.● Support video watermark function to avoid vicious video modification.● Built-in IR light. Support IR night vision.● The enclosure conforms to the IP 66 protection. Has the waterproof function.

1.3 Specifications

Please refer to the following sheet for IPC performance specification.

Model		HDD1MIA Series
Parameter		
System	Main Processor	TI Davinci high performance DSP
	OS	Embedded LINUX
	System Resources	Support real-time network, local record, and remote operation at the same time.
	User Interface	Remote operation interface such as WEB, DSS, PSS
	System Status	Bit stream statistics, log, and software version.
Video Parameter	Image Sensor	1/3-inch CMOS
	Pixel	1280(H)*960(V)
	Gain Control	Fixed/Auto
	White Balance	Manual/Auto
	Exposure Mode	Manual/Auto PAL: It ranges from 1/3 to 1/10000 NTSC: It ranges from 1/4 to 1/10000
	Video Compression Standard	H.264/JPEG/MJPEG
	Video Frame Rate	PAL: Main stream(1280*960@15fps), extra stream, (352*288@15fps) Main stream (1280*720@25fps) , extra stream (352*288@25fps) NTSC: Main stream (1280*960@15fps) , extra stream (352*240@15fps) Main stream (1280*720@30fps) , extra stream (352*240@30fps)
	Video Bit Rate	H.264: 56Kbps-8192Kbps. MJPEG is adjustable and bit rate is adjustable. Support customized setup.
	Video Flip	Support mirror. Support flip function.
	Snapshot	Max 1f/s snapshot. File extension name is JPEG.
	Privacy Mask	Supports max 4 privacy mask zones
	Video Setup	Support parameter setup such as bright, contrast.
	Video Information	Channel title, time title, motion detect, camera masking.
	Lens	2.8mm, 3.6mm, 6mm, 8mm. Fixed focus.
Lens Interface	M12. Lens is the default accessories	
Video	Motion Detect	396 (18*22) detection zones; sensitivity level ranges from 1 to 6 (The 6 th level has the highest sensitivity) Activation event: video storage, image snapshot, log, email function and etc.
Record and Backup	Record Priority	Manual>External alarm >Video detect>Schedule
	Storage Management	Support display local storage status

Network	Wire Network	1- channel wire Ethernet port, 10/100 Base-T Ethernet
	Network Protocol	Standard HTTP, TCP/IP, ARP, IGMP, ICMP, RTSP, RTP,UDP, RTCP, SMTP, FTP, DHCP, DNS, DDNS, PPPOE, UPNP, NTP, Bonjour, SNMP.
	Remote Operation	Monitor, system setup, file download, log information, maintenance , upgrade and etc
	Restore Default Setup	Built-in Reset button
	IR light	12 LED. IR light 20M.
General Parameter	Power	DC12V power and PoE. Warning! Do not connect these two power supplying sources to the device at the same time; it may result in device damage!
	Power Consumption	4W MAX
	Working Temperature	-10°C~+60°C
	Working Humidify	10%~90%
	Dimensions(mm)	Φ 113×86
	Weight	280g (Excluding box)
	Installation	Fixed on the wall, ceiling and etc.

1.4 Factory Default Setup

Please refer to the following sheet for factory default setup information.

Setup		Item		Default Setup	
				HDD1MIA Series	
Camera	Conditions	Brightness		50	
		Contrast		50	
		Hue		50	
		Saturation		50	
		Gain Mode		Auto	
		Gain Limit		50	
		Exposure Mode		Auto	
		Scene Mode		Auto	
		Day/night Mode		Auto	
		BLC		Off	
		Flip		Off	
Video	Video bit stream	Main Stream	Bit stream type	General	
			Encode mode	H.264	
			Resolution	720P (1280*720)	
			Frame Rate (FPS)	PAL: 25 NTSC:30	
			Bit Rate Type	CBR	

Setup		Item		Default Setup		
				HDD1MIA Series		
				Recommended Bit	2048-6144Kb/S	
				Bit Rate	4096	
				I Frame interval	50	
				Watermark	Enable	
				Watermark character	DigitalCCTV	
				Sub Stream	Enable	Enable
					Bit stream type	General
					Encode mode	H.264B
					Resolution	CIF(352*288/352*240)
					Frame Rate (FPS)	PAL: 25 NTSC:30
		Bit Rate Type	CBR			
		Recommended Bit	192-1024Kb/S			
		Bit Rate	1024			
		I Frame interval	50			
		Snapshot	Snapshot Type		General	
			Image Size	720P (1280*720)		
			Quality	5		
			Interval	1s		
		Video Overlay	Privacy Mask	Disable		
			Channel Title	Enable		
			Time Title	Enable		
		Path	Snapshot Path	C:\PictureDownload		
			Record Path	C:\RecordDownload		
		Network	TCP/IP	Host Name	IPC	
				Ethernet Card	Wire(Default)	
				Mode	Static	
				Mac Address	Device MAC address when it is shipped out of the factory	
				IP Version	IPV4	
				IP Address	192.168.1.108	
				Subnet Mask	255.255.255.0	

Setup	Item	Default Setup	
		HDD1MIA Series	
		Default Gateway	192.168.1.1
		Preferred DNS	8.8.8.8
		Alternate DNS	8.8.8.8
		Enable ARP/Ping set device IP address service	Enable
	Connection	Max Connection	10
		TCP Port	37777
		UDP Port	37778
		HTTP Port	80
		RTSP Port	554
	PPPoE	Enable	Disable
		Username	none
		Password	N/A
	DDNS	Server Type	Disable, CN99 DDNS
		Server IP	none
		Server Port	80
		Domain Name	none
		User	none
		Password	****
		Update Period	5 minutes
	IP Filter	Trusted sites	Disable
	SMTP(Email)	SMTP Server	none
		Port	25
		Anonymity	Disable
		User Name	anonymity
		Password	****
		Sender	none
		Authentication (Encryption mode)	N/A
		Title (Subject)	IPC Message

Setup	Item		Default Setup		
			HDD1MIA Series		
		Attachment	N/A		
		Mail Receiver	0 seconds		
		Email Test	Disable, interval=60 minutes		
	UPnP	Enable UPnP	Disable		
		SNMP	SNMP v1	Disable	
	SNMP v2		Disable		
	SNMP Port		161		
	Read Community		public		
	Write Community		private		
	Trap Address		N/A		
	Trap Port		162		
	Bonjour	Enable	Enable		
		Server Name	Device factory SN		
	Multicast	Multicast Address	239.255.42.42		
		Port	36666		
	QoS	Real-time Monitor	0		
		Command	0		
	Event	Video detect	Motion Detect	Enable	Disable
				Anti-dither	5 seconds
				Sensitivity	3
Record Channel				Enable	
Record Delay				10 seconds	
Send Email				Disable	
Snapshot				Disable	
Video Masking		Enable	Disable		
		Record Channel	Enable		
		Record Delay	10 seconds		
		Send Email	Disable		
		Snapshot	Disable		
Abnormality		Disconnection	Enable	Disable	
			Record	Enable	
			Record Delay	10 seconds	
	IP Conflict	Enable	Disable		
		Record	Enable		

Setup	Item			Default Setup		
				HDD1MIA Series		
			Record Delay	10 seconds		
Storage	Storage	FTP	Enable FTP	Disable		
			Server IP	N/A		
			Port	21		
			Username	anonymity		
			Password	N/A		
			Remote path	share		
			Emergency (Local)	Disable		
	Record Control			Pack Duration	8 minutes	
				Pre-record	5 seconds	
				Disk Full	Overwrite	
Record Mode				Auto		
Bit Stream				Main Stream		
System	General	Local Host	Device No	Device MAC address		
			Language	English		
			Video Standard	NTSC		
		Date and time			Date Format	Y-M-D
					Time Format	24H
					Time Zone	GMT+08:00
					System Time	Sync
					DST	Disable
					DST Type	Week
					Start Time	00:00:00 of the first Sunday of the month
					End Time	00:00:00 of the second Monday of the month
					NTP	Disable
	NTP Server				clock.isc.org	
	Port	37				
	Update Period	10 minutes				
	Auto Maintenance			Auto Reboot	Enable	
				Auto Delete Old Files	Disable	

2 Structure

2.1 Components

You can refer to the following figure for multiple-function combination cable information. See Figure 2-1.

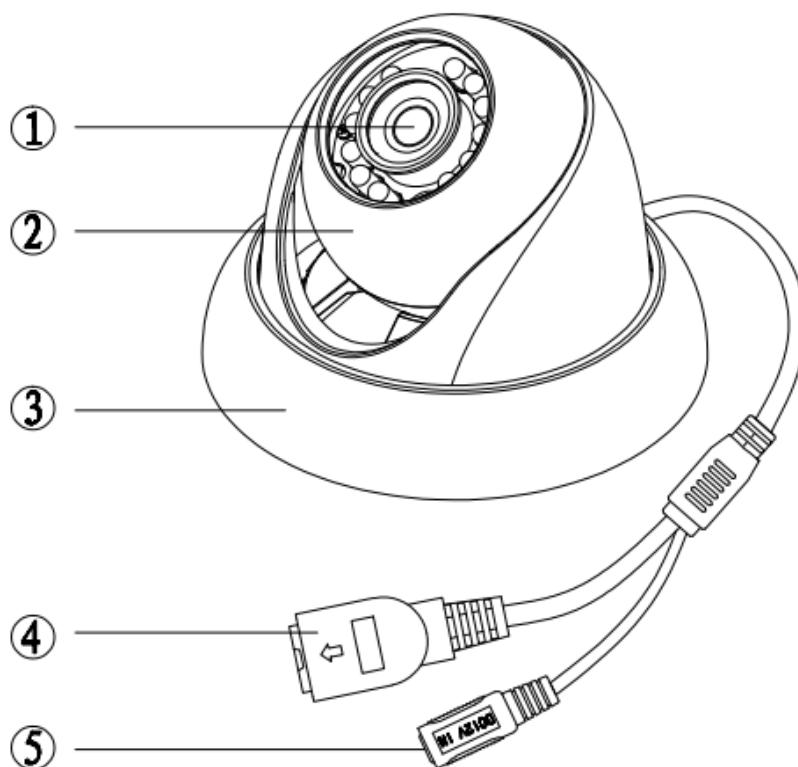


Figure 2-1

Please refer to the following sheet for detailed information.

Component	Component Name
Component 1	Device lens
Component 2	Dome body
Component 3	Dome enclosure

Port Name	Function	Note
Port 4	Network port	Connect to standard Ethernet cable.
Port 5	DC power 12V	Power input port. Input DC 12V.

2.2 Framework and Dimension

Please refer to the following two figures for dimension information. The unit is mm. See Figure 2-2 and Figure 2-3.

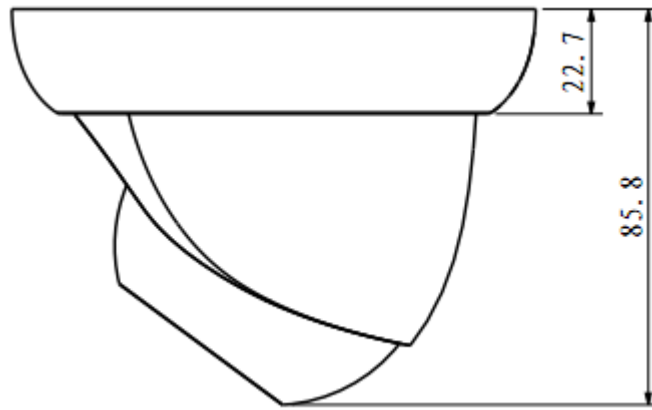


Figure 2-2

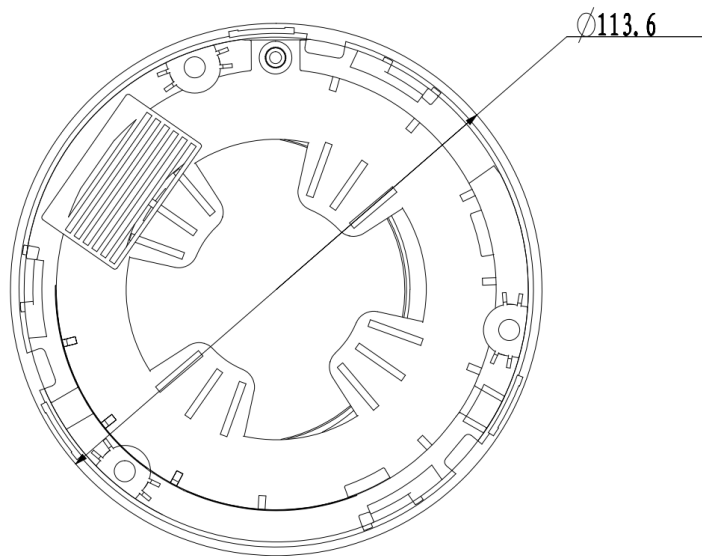


Figure 2-3

3 Device Installation

3.1 Installation Steps

Important

Before the installation, please make sure the installation environments can at least support 3x weight of the camera.

Please follow the steps listed below to install the device. Please refer to Figure 3-1 for reference.

Step 1

Turn clockwise to remove the decoration ring from the snap joints.

Step 2

Please take the installation position map in the accessories bag, and then paste it on the ceiling or the wall according to your monitor area requirements. Draw and then dig three plastic expansion bolts holes in the installation surface and then insert three expansion bolts in the holes. Secure these three bolts firmly. Please draw the cable out from the cable exit when you install the device.

Step 3

Adjust the device installation pedestal to the proper position and then line up the three screw holes in the device pedestal to the three plastic expansion bolt holes in the installation position. Put the three self-tapping screws in the three plastic expansion bolts firmly. Loosen the M3X8 cross recessed pan head slot screw of the pedestal to unfasten the preforming. (Do not remove, loosen a little bit will be OK.). Adjust the lens to the proper monitor angle and then use the original preforming to turn the M3X8 cross recessed pan head slot screw back.

Step4

Line up the three spigots of the decoration ring to the jags from the bottom to the top and then turn clockwise until you hear a clear sound "KA". Now the installation is complete.

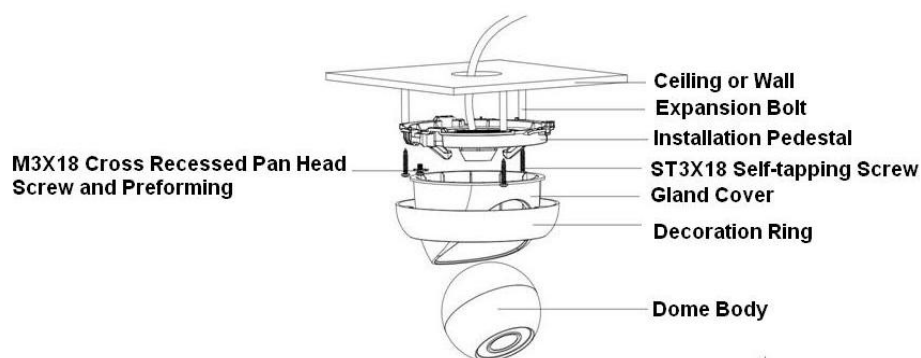


Figure 3-1

Important

Please pay attention to the dome camera direction when you are installing. Please refer to the following figure for detailed information. See Figure 3-2.

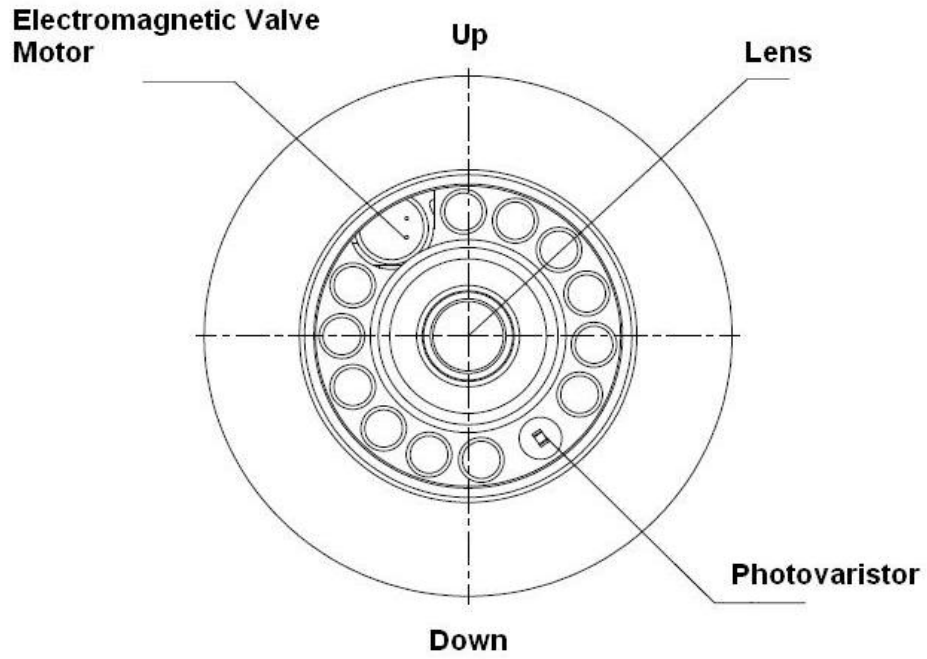


Figure 3-2

Note

This series product supports two cable exits. One is from the bottom and the other is from the side. Please refer to the following figure for cable exit from the side information.

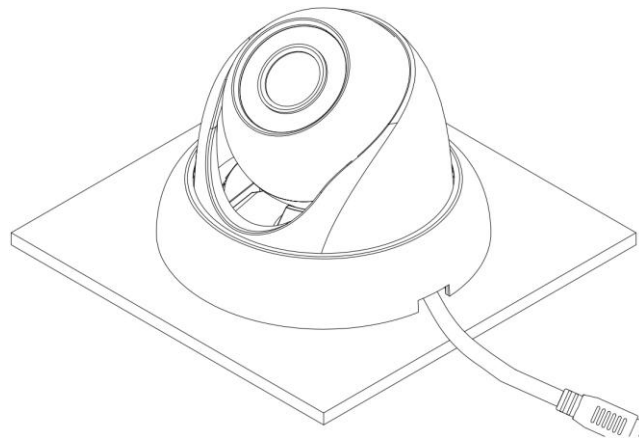


Figure 3-3

Please earth the GND port of the device to enhance the device reliability. The GND port is near the cable exit port on the rear of the dome. The GND screw uses the M2X5 pan screw.

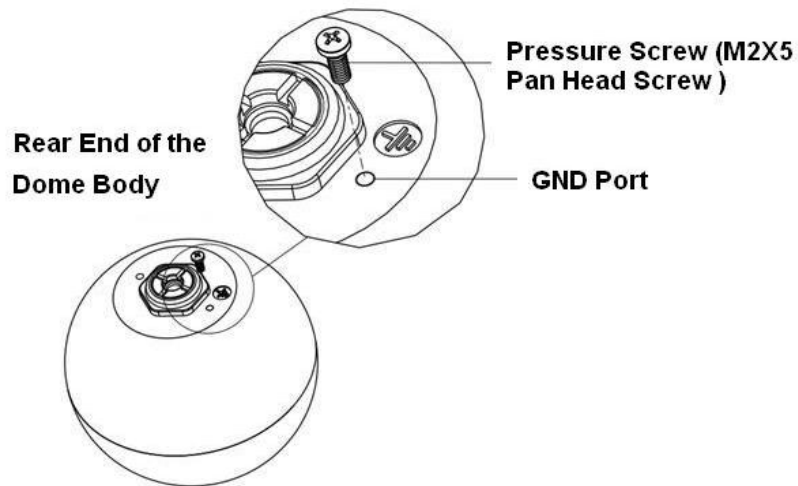


Figure 3-4

3.2 Restore Factory Default Setup Introduction

Important

Please use RESET button when device is running.

Step1

Please refer to step1 and step2 in chapter 3.1 to loose the dome body. Push a little bit; you can take the dome body from the gland cover.

Step2

Take the dome body out and then turn the top cover hard to remove.

Step3

Slightly press the RESET button to complete the reset function. See Figure 3-5.

Step4

Turn the top cover back to the original position. Please make sure it reaches the original position, otherwise it may result in water leakage!

Step5

Put the dome back to the gland cover. Please refer to step4 in chapter 3.1 to install the decoration ring back.

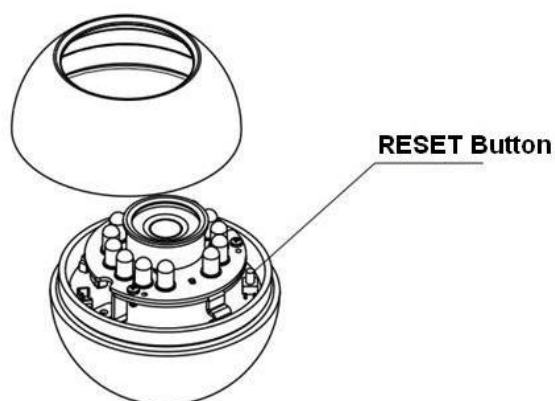


Figure 3-5

4 Quick Configuration Tool

4.1 Overview

Quick configuration tool can search current IP address, modify IP address. At the same time, you can use it to upgrade the device.

Please note the tool only applies to the IP addresses in the same segment.

4.2 Operation

Double click the “ConfigTools.exe” icon, you can see an interface is shown as in Figure 4-1.

In the device list interface, you can view device IP address, port number, subnet mask, default gateway, MAC address and etc.

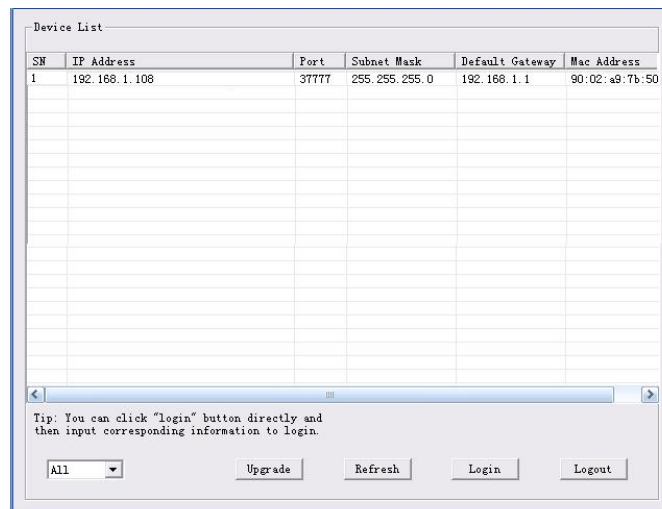


Figure 4-1

Select one IP address and then right click mouse, you can see an interface is shown as in Figure 4-2.

Note:

You can set the IP address, subnet mask and gateway for the IPC and PC. Please note IPC IP address and PC IP address shall be in the same network segment if there is no router. IPC default IP address is 192.168.1.108. If there is a router, please set the corresponding gateway and subnet mask. The factory default user name is **admin** and password is **admin**. For security reasons, please modify your password after you first login.

For detailed WEB operation, please refer to the IPC Web Operation Manual in the resource CD.

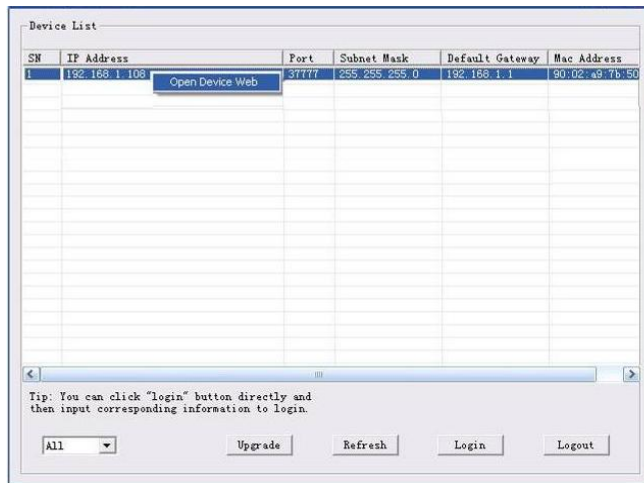


Figure 4-2

Select the “Open Device Web” item; you can go to the corresponding web login interface. See Figure 4-3.

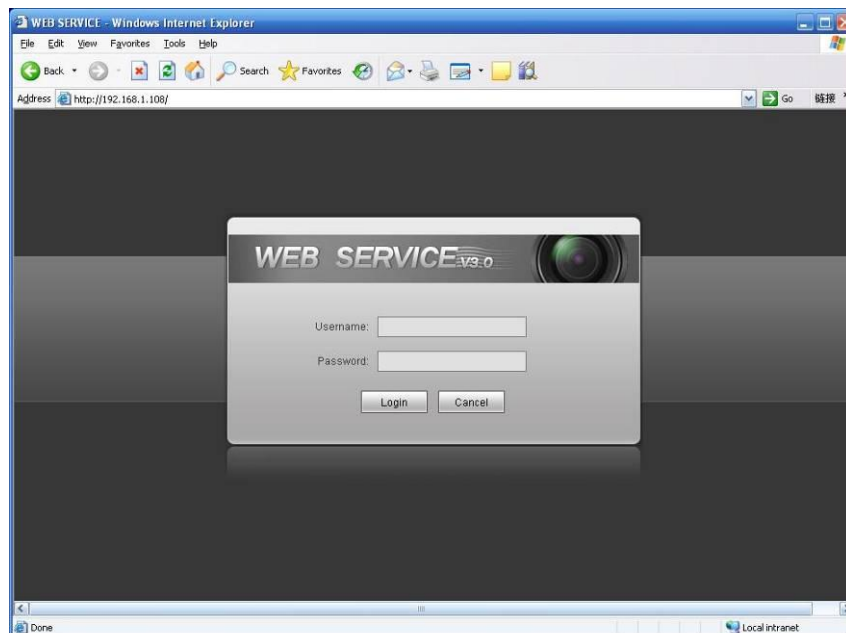


Figure 4-3

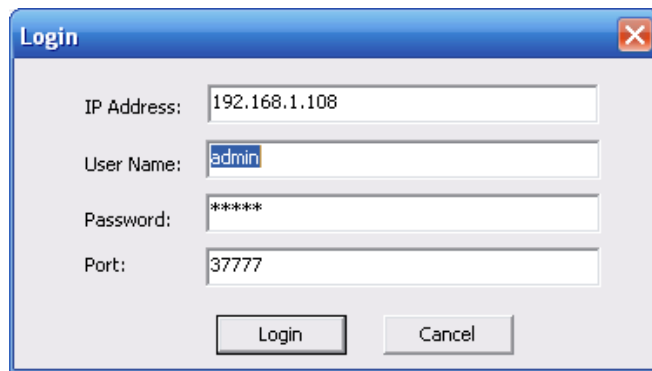
If you want to modify the device IP address without logging in the device web interface, you can go to the configuration tool main interface to set.

In the configuration tool search interface (Figure 4-1), please select a device IP address and then double click it to open the login interface. Or you can select an IP address and then click the Login button to go to the login interface. See Figure 4-4.

In Figure 4-4, you can view device IP address, user name, password and port. Please modify the corresponding information to login.

Please note the port information here shall be identical with the port value you set in TCP port in Web Network interface. Otherwise, you can not login the device.

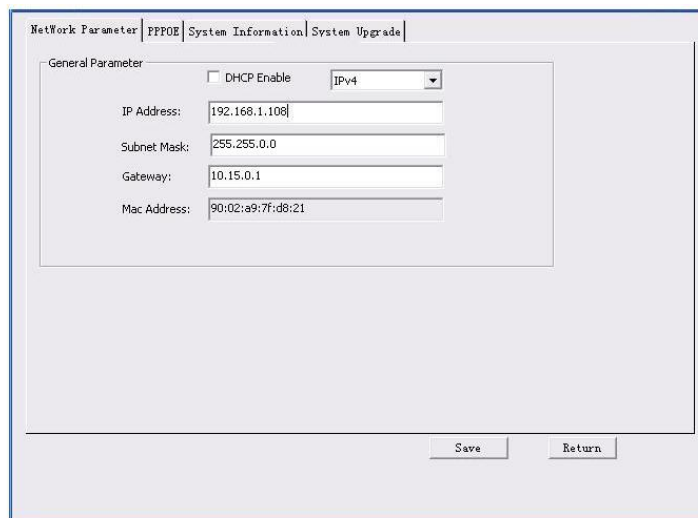
If you are using device background upgrade port 3800 to login, other setups are all invalid.



A login dialog box titled "Login" with a close button in the top right corner. It contains four input fields: "IP Address" with the value "192.168.1.108", "User Name" with the value "admin", "Password" with the value "*****", and "Port" with the value "37777". At the bottom, there are two buttons: "Login" and "Cancel".

Figure 4-4

After you logged in, the configuration tool main interface is shown as below. See Figure 4-5.



The main interface of the configuration tool, showing a tabbed menu at the top with "Network Parameter", "PPPOE", "System Information", and "System Upgrade". The "Network Parameter" tab is active, displaying a "General Parameter" section. This section includes a "DHCP Enable" checkbox (unchecked) and a "IPv4" dropdown menu. Below these are five input fields: "IP Address" (192.168.1.108), "Subnet Mask" (255.255.0.0), "Gateway" (10.15.0.1), and "Mac Address" (90:02:a9:7f:d8:21). At the bottom right, there are "Save" and "Return" buttons.

Figure 4-5

For detailed information and operation instruction of the quick configuration tool, please refer to the *Quick Configuration Tool User's Manual* included in the resources CD.

5 Web Operation

This series IPC product support the Web access and management via PC.

Web includes several modules: monitor channel preview, system configuration, alarm and etc.

5.1 Network Connection

Please follow the steps listed below for network connection.

- Make sure the IPC has connected to the network properly.
- Please set the IP address, subnet mask and gateway of the PC and the IPC respectively. IPC default IP address is 192.168.1.108. Subnet mask is 255.255.255.0. Gateway is 192.168.1.1
- Use order ping `***.***.***.***(* IP camera address)` to check connection is OK or not.

5.2 Login and Logout

Open IE and input IP camera address in the address bar.

For example, if your camera IP is 192.168.1.108, then please input `http:// 192.168.1.108` in IE address bar. See Figure 5-1.

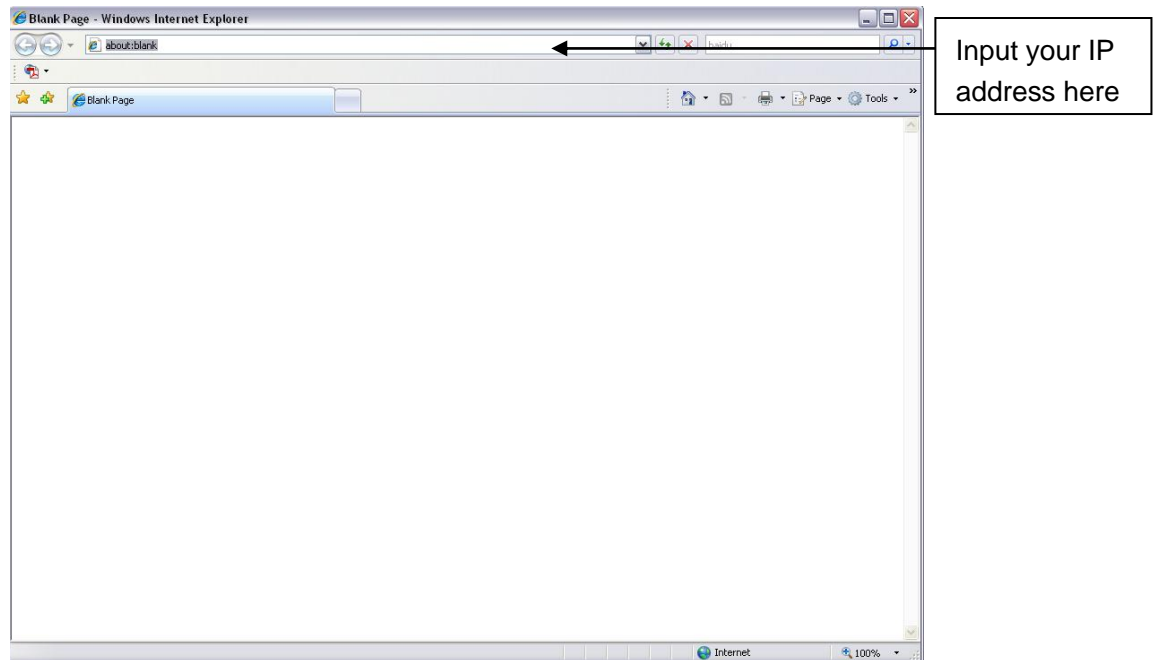


Figure 5-1

The login interface is shown as below. See Figure 5-2.

Please input your user name and password.

Default factory name is admin and password is admin.

Note: For security reasons, please modify your password after you first login.

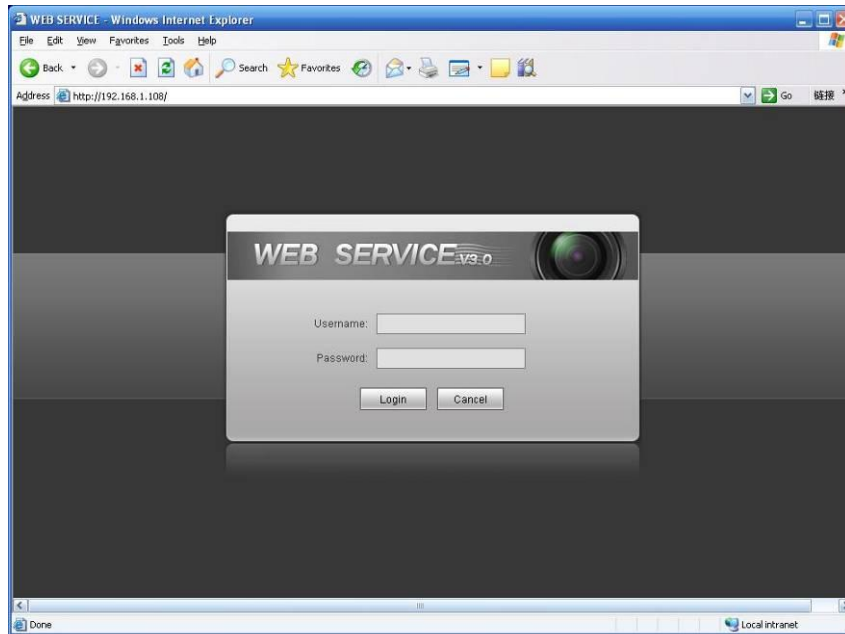


Figure 5-2

If it is your first time to login in, system pops up warning information to ask you whether install control webrec.cab or not after you logged in for one minute. Please click OK button, system can automatically install the control. When system is upgrading, it can overwrite the previous Web too. If you can't download the ActiveX file, please check whether you have installed the plug-in to disable the control download. Or you can lower the IE security level. See Figure 5-3.

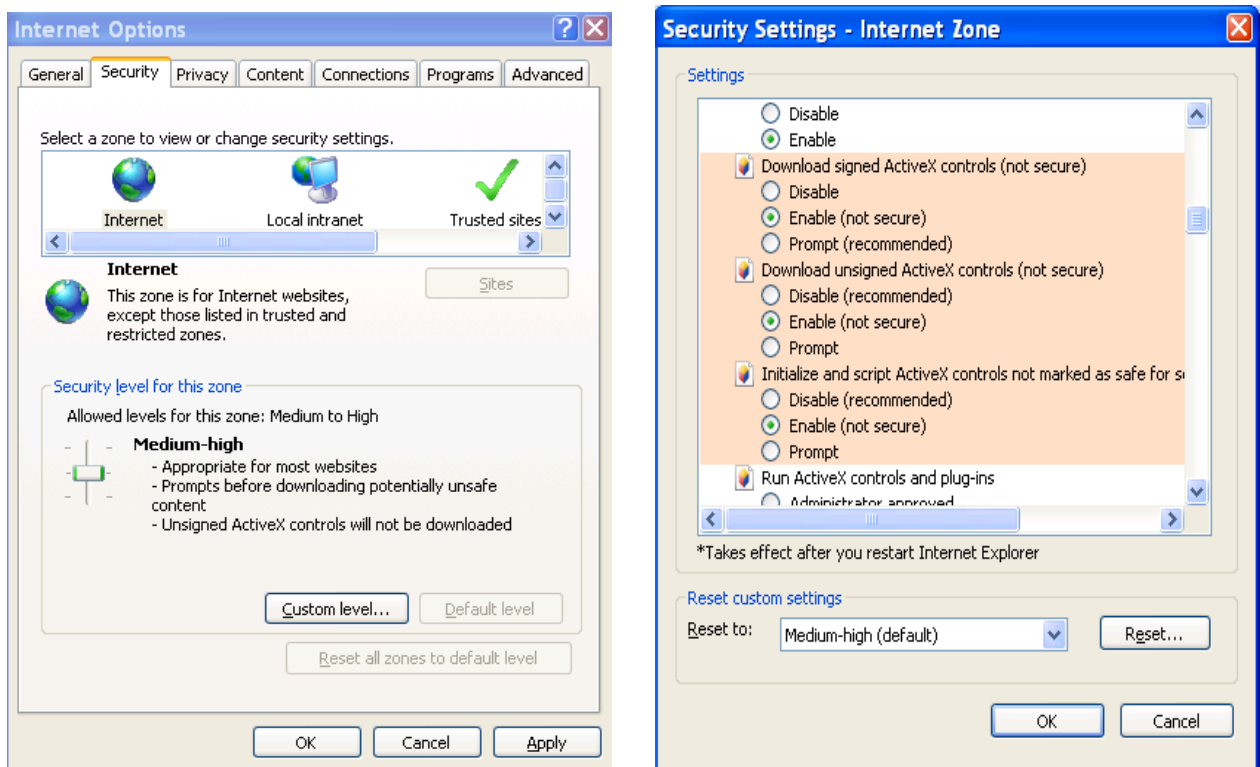


Figure 5-3

After you logged in, you can see the main window. See Figure 5-4.

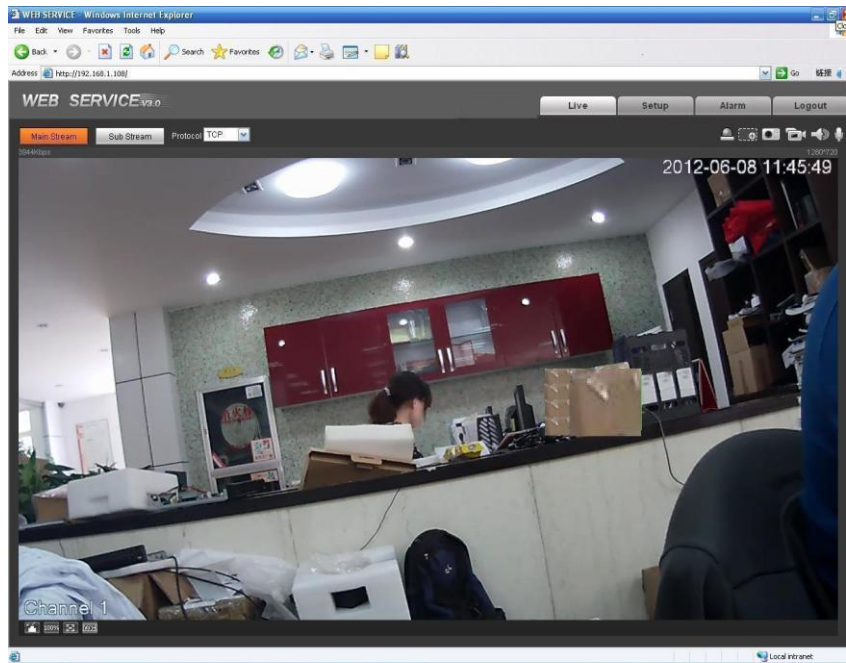


Figure 5-4

Please refer to the Web Operation Manual included in the resource CD for detailed operation instruction.

6 FAQ

Bug	
I can not boot up the device or operate properly.	Please click RESET button for at least five seconds to restore factory default setup.
The water leakage occurred.	<p>The unauthorized front or rear cap remove many result in water leakage.</p> <p>The glass front cap has sustained heavy push or strike.</p> <p>The waterproof plug of the rear cap becomes loosen.</p>
IR video is poor.	<p>Do not use the proper supplying power. The IR light can not turn on completely.</p> <p>The object is out of the IR distance range of current device.</p> <p>IR-CUT does not turn to the night mode. The photosensitive chip of the front-end can not sense the IR light.</p>
I can not upgrade the device via network.	When network upgrade operation failed, you can use port 3800 to continue upgrade.
I can not login the client-end or the WEB.	<p>For Windows OS 98 or Windows ME user, if you can not install the client-end or can not view after the installation. We recommend the win2000sp4 OS or install the client-end of the low version.</p> <p>The Active X control is blocked.</p> <p>The display card version shall be dx8.1 or higher.</p> <p>Network connection error occurred.</p> <p>Invalid network setup.</p> <p>Invalid user name or password.</p>
I can not play the download file.	<p>There is no player.</p> <p>There is no DX8.1 or higher.</p> <p>For the MEDIA PLAYER, there shall be Div X503Bundle.exe plugin if you play the .AVI file.</p> <p>For Windows XP user, you need to install the plugin DivX503Bundle.exe and ffdsho-2004 1012.exe.</p>
To guarantee setup update	After you modified the important setup, please reboot the device via the software to make sure the setup has been updated to the storage medium.
Power adapter	<p>The general power adapter can work ranging from 0°C to 40 °C. The device may result in unstable power supply when the temperature exceeds the working temperature.</p> <p>Please replace an industry-level power adapter if you are using in the harsh environments.</p>

Appendix Toxic or Hazardous Materials or Elements

Component Name	Toxic or Hazardous Materials or Elements					
	Pb	Hg	Cd	Cr VI	PBB	PBDE
Circuit Board Component	○	○	○	○	○	○
Device Case	○	○	○	○	○	○
Wire and Cable	○	○	○	○	○	○
Packing Components	○	○	○	○	○	○
Accessories	○	○	○	○	○	○

O: Indicates that the concentration of the hazardous substance in all homogeneous materials in the parts is below the relevant threshold of the SJ/T11363-2006 standard.

X: Indicates that the concentration of the hazardous substance of at least one of all homogeneous materials in the parts is above the relevant threshold of the SJ/T11363-2006 standard. During the environmental-friendly use period (EFUP) period, the toxic or hazardous substance or elements contained in products will not leak or mutate so that the use of these (substances or elements) will not result in any severe environmental pollution, any bodily injury or damage to any assets. The consumer is not authorized to process such kind of substances or elements, please return to the corresponding local authorities to process according to your local government statutes.

Note

- **This user's manual is for reference only. Slight difference may be found in user interface.**
- **All the designs and software here are subject to change without prior written notice.**
- **All trademarks and registered trademarks mentioned are the properties of their respective owners.**
- **If there is any uncertainty or controversy, please refer to the final explanation of us.**
- **Please visit our website for more information.**